

ELKAY® SPECIFICATIONS

Gourmet® Double Bowl Sink Featuring E-Granite, Top Mount Models ELG3322 Series

GENERAL

Molded from Elkay E-Granite which is up to 85% natural quartz and high performance acrylic resins. E-Granite is non-porous and resists staining. E-Granite is hard enough to resist scratches and chips, is naturally sound deadened, and heat resistant. The color is solid throughout the sink and is UV resistant to prevent color-fading in indoor applications. Top mount.

DESIGN FEATURES

Bowl Depth: 9-1/2" (241mm).

Rim Height: 3/8" (10mm).

Material: Elkay E-Granite.

Color Options with natural accents: Black (BK), Bisque (BQ), Mocha (MC) or White (WH).

OTHER

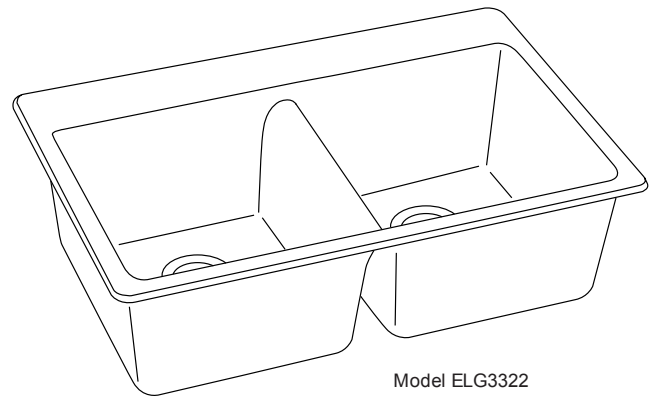
Drain Opening: 3-1/2" (89mm).

Note: Faucet holes are pre-scored for flexible installation. Installer can punch up to 4 faucet holes.

These sinks comply with ANSI Z124.6 and CSA B45-02.



These sinks are listed by the International Association of Plumbing and Mechanical Officials as meeting the requirements of the Uniform Plumbing Code and the National Plumbing Code of Canada.

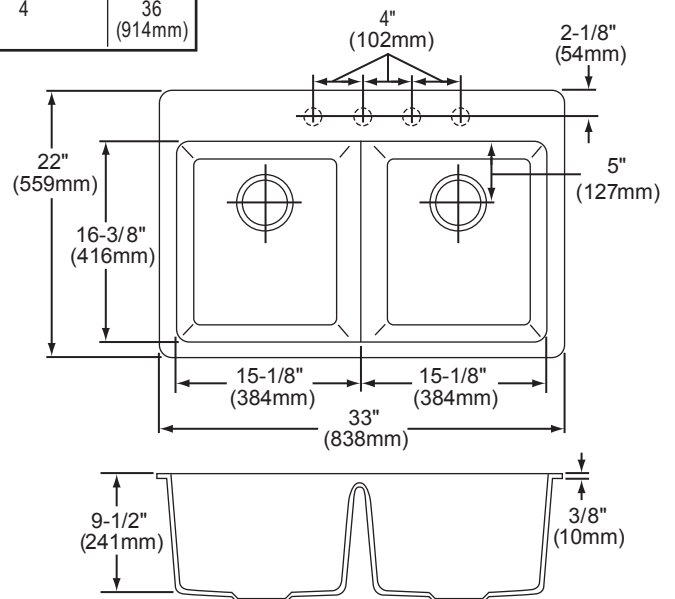
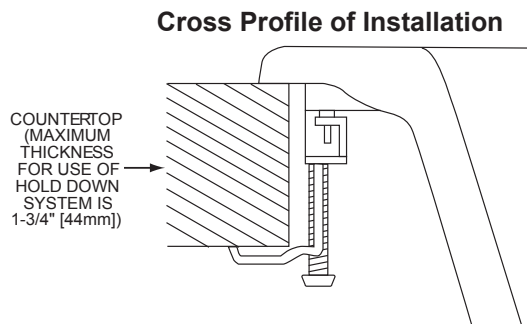


Model ELG3322

SINK DIMENSIONS*

Model Number	Overall		Inside Bowl			Cutout in Countertop 1" Radius (25mm) Corners		No. of Pre-scored 1 1/2" (38mm) Dia. Faucet Holes 4" (102mm) Centers	Minimum Cabinet Size
	L	W	L	W	D	L	W		
ELG3322BK	33 (838mm)	22 (559mm)	15 1/8 (384mm)	16 3/8 (416mm)	9 1/2 (241mm)	32-1/8 (816mm)	21-1/8 (537mm)	4	36 (914mm)
ELG3322BQ	33 (838mm)	22 (559mm)	15 1/8 (384mm)	16 3/8 (416mm)	9 1/2 (241mm)	32-1/8 (816mm)	21-1/8 (537mm)	4	36 (914mm)
ELG3322MC	33 (838mm)	22 (559mm)	15 1/8 (384mm)	16 3/8 (416mm)	9 1/2 (241mm)	32-1/8 (816mm)	21-1/8 (537mm)	4	36 (914mm)
ELG3322WH	33 (838mm)	22 (559mm)	15 1/8 (384mm)	16 3/8 (416mm)	9 1/2 (241mm)	32-1/8 (816mm)	21-1/8 (537mm)	4	36 (914mm)

*Length is left to right. Width is front to back.



In keeping with our policy of continuing product improvement, Elkay reserves the right to change product specifications without notice. Please visit elkayusa.com for most current version of Elkay product specification sheets.

This specification describes an Elkay product with design, quality and functional benefits to the user. When making a comparison of other producers' offerings, be certain these features are not overlooked.

Elkay

elkayusa.com

2222 Camden Court
Oak Brook, IL 60523

Printed in U.S.A.
©2009 Elkay

(Rev. 08/09) 1-281C

ELKAY® SPECIFICATIONS

**Gourmet® Double Bowl Sink
Featuring E-Granite, Top Mount
Models ELG3322 Series**

OPTIONAL ACCESSORIES

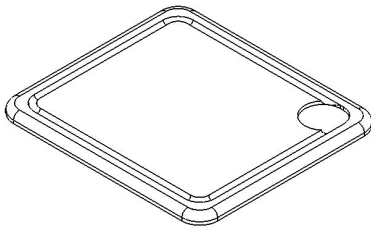
Drains: LKKDT35, LKD35, LKS35

Utensil Caddy for Rinsing Basket: LKWUCSS

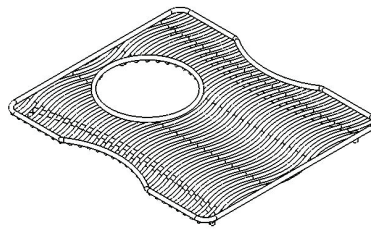
For Additional Accessories see table below

Model Number	Description	Bowl	Overall			Material/Finish
			L	W	Depth/Thickness	
LKCBEG1516HW	Cutting Board	Both	15-3/8" (390mm)	17-1/8" (436mm)	1" (25mm)	Hardwood
LKWOBG1516SS	Bottom Grid	Both	12-1/16" (306mm)	13-3/4" (350mm)	1-1/8" (29mm)	Polished stainless steel
LKWRB1516SS	Rinsing Basket	Both	11-7/8 " (302mm)	13-3/4" (350mm)	5-3/8" (137mm)	Polished stainless steel

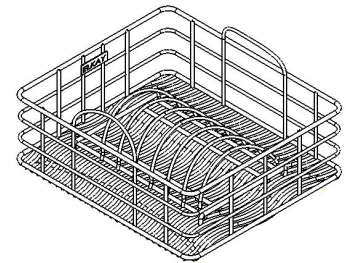
*Length is left to right. Width is front to back.



LKCBEG1516HW



LKWOBG1516SS



LKWRB1516SS

In keeping with our policy of continuing product improvement, Elkay reserves the right to change product specifications without notice. Please visit elkayusa.com for most current version of Elkay product specification sheets.

This specification describes an Elkay product with design, quality and functional benefits to the user. When making a comparison of other producers' offerings, be certain these features are not overlooked.

Elkay

elkayusa.com

2222 Camden Court
Oak Brook, IL 60523

Printed in U.S.A.
©2009 Elkay

(Rev. 08/09) 1-281C