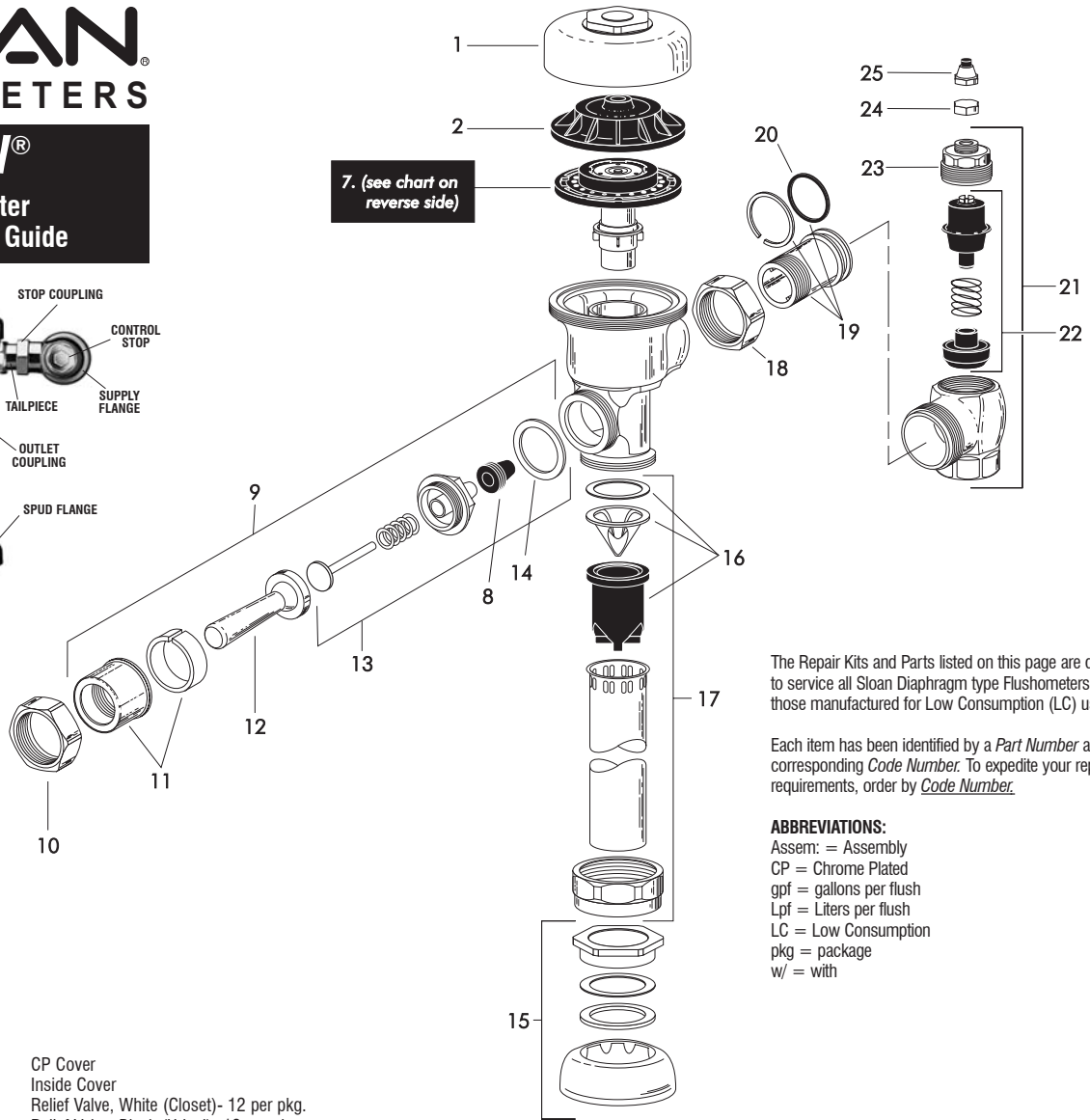
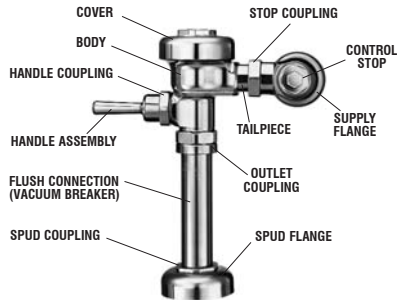


SLOAN® FLUSHOMETERS

Regal® Flushometer Maintenance Guide



The Repair Kits and Parts listed on this page are designed to service all Sloan Diaphragm type Flushometers, including those manufactured for Low Consumption (LC) usage.

Each item has been identified by a *Part Number* and a corresponding *Code Number*. To expedite your replacement requirements, order by *Code Number*.

ABBREVIATIONS:

Assem. = Assembly
CP = Chrome Plated
gpf = gallons per flush
Lpf = Liters per flush
LC = Low Consumption
pkg = package
w/ = with

PARTS LIST

1.	0317004	R-10	CP Cover
2.	0301168	A-71	Inside Cover
3A.	5301058	A-19-AC	Relief Valve, White (Closet)- 12 per pkg.
3B.	5301059	A-19-AU	Relief Valve, Black (Urinal)- 12 per pkg.
3C.	5301211	A-19-ALC	Relief Valve, Green (Closet/Urinal-LC)- 12 per pkg.
3D.	5301143	A-19-AL	Relief Valve, Blue (9 Liter Closet)- 12 per pkg.
4.	5301111	A-15-A	Disc - for all Inside Parts Kits - 12 per pkg.
5.	5301188	A-156-A	Diaphragm - for all Inside Parts Kits - 12 per pkg.
6A.	5301236	A-163-A	Guide Assem. 4.5 gpf/17.0 Lpf Closet & 1.5 gpf/5.7 Lpf Urinal -12 per pkg.
6B.	5301032	A-152-A	Guide Assem. 3.5 gpf/13.2 Lpf Closet - 12 per pkg.
6C.	5301031	A-151-A	Guide Assem. 1.6 gpf/6.0 Lpf LC Closet - 12 per pkg.
6D.	5301155	A-155-A	Guide Assem. 1.0 gpf/3.8 Lpf LC Urinal - 12 per pkg.
6E.	5301157	A-157-A	Guide Assem. 0.5 gpf/1.9 Lpf Urinal - 12 per pkg.
7.			SEE INSIDE PARTS KITS CHART ON THE REVERSE SIDE
8.	5302297	B-39	Seal - 12 per pkg.
9.	5302279	B-32-A	CP Handle Assem. - 6 per pkg.
	0302390	B-73	CP Handicap Handle Assem. (A.D.A. Compliant)
10.	0301082	A-6	CP Handle Coupling
11.	0302109	B-7-A	CP Socket Assem.
12.	5302274	B-32	CP Handle Grip - 12 per pkg.
	0302389	B-74-A	CP Handicap Handle Grip (A.D.A. Compliant)
13.	5302305	B-50-A	Handle Repair Kit - 6 per pkg.
14.	5301139	A-31	Handle Gasket - 48 per pkg.
15.	0306102	F-54-A	3/4" CP Spud Coupling Assem
	0306142	F-55-A	1 1/4" CP Spud Coupling Assem.
	0306145	F-56-A	1 1/2" CP Spud Coupling Assem.
16.	3323192	V-551-A	Vacuum Breaker Repair Kit
17.	5323005	V-500-AA	3/4" x 9" CP Vacuum Breaker - 6 per pkg.
	5323006	V-500-AA	1 1/4" x 9" CP Vacuum Breaker - 6 per pkg.
	5323007	V-500-AA	1 1/2" x 9" CP Vacuum Breaker - 6 per pkg.
18.	0308676	H-550	CP Stop Coupling
19.	0308801	H-551-A	CP Adjustable Tailpiece 2 1/16" long
20.	5308696	H-553	O-Ring - 24 per pkg.

21.	0388029	H-740-A	1" Screwdriver Bak-Chek® Stop CP - complete
	0388031	H-740-A	3/4" Screwdriver Bak-Chek® Stop CP - complete
22.	3308853	H-541-A	1" Control Stop Repair Kit *
	3308856	H-543-A	3/4" Control Stop Repair Kit **
23.	0308991	H-639	CP Bonnet *
	0308601	H-538	CP Bonnet **
24.	5308156	H-37	CP Cap - 6 per pkg.
25.	5310034	J-2/J-7	Bumper Assem. - 6 per pkg.

* for use with H-740 1" & 3/4" and H-540-A 1" Screwdriver Bak-Chek® Control Stops

** for use with H-540-A 3/4" Screwdriver Bak-Chek® Control Stops

MASTER FLUSHOMETER REBUILDING KITS

Includes Items 7-13-16 & 20		
CODE NO.	KIT NO.	DESCRIPTION
3317001	R-1001-A	Rebuild Kit (4.5 gpf/17.0 Lpf) Closet/Service Sink
3317002	R-1002-A	Rebuild Kit (1.5 gpf/5.7 Lpf) Urinal
3317003	R-1003-A	Rebuild Kit (3.5 gpf/13.2 Lpf) Closet
3317004	R-1004-A	Rebuild Kit (1.6 gpf/6.0 Lpf) Closet
3317005	R-1005-A	Rebuild Kit (1.0 gpf/3.8 Lpf) LC Urinal
3317011	R-1011-A	Rebuild Kit (0.5 gpf/1.9 Lpf) Urinal
3317012	R-1012-A	Rebuild Kit (2.4 gpf/9.0 Lpf) Closet
WASHER SET		
3301089	A-156-AA	Washer Set - Includes: 4, 5, 8 & 14

The information contained in this document is subject to change without notice.

SLOAN VALVE COMPANY • 10500 SEYMOUR AVENUE • FRANKLIN PARK, IL 60131

Phone: 1-800-9-VALVE-9 or 1-847-671-4300 • Fax: 1-800-447-8329 or 1-847-671-4380 • <http://www.sloanvalve.com>

Troubleshooting and Maintaining the Sloan Regal® Flushometer

1. PROBLEM: Flushometer does not function.

- CAUSE:** (a.) Control Stop or Main Valve is closed.
 (b.) Handle Assembly is worn.
 (c.) Relief Valve is worn.

- SOLUTION:** (a.) Open Control Stop or Main Valve.
 (b.) Install Sloan Handle Repair Kit (B-50-A) or replace handle.
 (c.) Replace Inside Parts Kit.

2. PROBLEM: Insufficient volume of water to adequately siphon fixture.

- CAUSE:** (a.) Control Stop not open enough.
 (b.) Urinal Flushometer Parts inside a Closet Flushometer.
 (c.) Low Consumption Flushometer installed on a non-Low Consumption fixture.
 (d.) Water Saver Kit installed in old, non-Water Saver bowl.
 (e.) Inadequate volume or pressure at supply.

- SOLUTION:** (a.) Adjust Control Stop for desired delivery of water.
 (b.) Replace Inside Urinal Parts with proper Closet Flushometer Parts.
 (c.) Replace A-41-A Inside Parts Kit with A-38-A Water Saver Kit.
 (d.) Position Refill Head A-170 so that SIDE 1 is in the UP Position.
 (e.) If no gauges are available to properly measure supply pressure or volume of water at the Flushometer, then remove the Relief Valve from the Inside Parts Kit, reassemble the Flushometer and open the Control Stop.
 • If the fixture siphons, more water volume is required. If a 3.5 gpf Inside Parts Kit is installed in the Flushometer, then first flip the Refill Head (under the Diaphragm) to obtain a 4.5 gpf volume. If this volume is still inadequate, remove the Flow Ring from the Guide to obtain a 6.5 gpf Kit. If additional flow is still required, try a Low Pressure Guide Kit A-175-A (# 0301104). **IMPORTANT: Laws and Regulations requiring Low Consumption Fixtures (1.6 gpf Water Closets and 1.0 gpf Urinals) prohibit the use of higher flushing volumes.**
 • If fixture does not siphon or if a Low Consumption fixture is installed, or if the above steps do not prove satisfactory, steps must be taken to increase the pressure and/or supply.

3. PROBLEM: Flushometer closes off immediately.

- CAUSE:** (a.) Ruptured or damaged Diaphragm.
 (b.) Enlarged By-Pass orifice from corrosion or damage.

- SOLUTION:** Install Inside Parts Kit to correct above problems and update Flushometer.

4. PROBLEM: Length of flush is too short (Short Flushing).

- CAUSE:** (a.) Diaphragm Assembly and Guide Assembly are not hand-tight.
 (b.) Enlarged By-pass orifice from corrosion or damage.
 (c.) A-19-AU (Black) Urinal Relief Valve in Closet Flushometer.
 (d.) A-41-A Low Consumption Kit installed in non-Low Consumption fixture.
 (e.) Handle Assembly is worn.

- SOLUTION:** (a.) Screw the two assemblies hand-tight.
 (b.) Install NEW Inside Parts Kit to correct problem and update Flushometer.
 (c.) Replace Relief Valve with A-19-AC (White) Closet Relief Valve.
 (d.) Replace with proper Inside Parts Kit.
 (e.) Install Handle Repair Kit B-50-A or replace the Handle.

5. PROBLEM: Length of flush is too long (Long Flushing) or fails to close off.

- CAUSE:** (a.) Relief Valve (A-19-A) is not seating properly or Bypass orifice is clogged because of foreign material, or Bypass orifice is closed by an invisible gelatinous film from "over-treated" water.
 (b.) Line pressure has dropped and is not sufficient to force Relief Valve to seat.
 (c.) A-19-AC (White) Closet Relief Valve has been used in a 1 or 1 1/2 gpf Urinal.

- SOLUTION:** (a.) Inside Cover is cracked or damaged. Disassemble the working parts and wash thoroughly. **NOTE: SIZE OF ORIFICE IN THE BY-PASS IS OF UTMOST IMPORTANCE FOR PROPER METERING OF WATER INTO THE UPPER CHAMBER OF THE FLUSHOMETER. DO NOT ENLARGE OR DAMAGE THIS ORIFICE. REPLACE INSIDE KIT IF CLEANING DOES NOT CORRECT PROBLEM.**
 (b.) Shut off all control stops until pressure has been restored, then open them again.
 (c.) Replace with A-19-AU (Black) Relief Valve.
 (d.) Replace the Inside Cover (A-71).

6. PROBLEM: Chattering noise in Flushometer.

- CAUSE:** (a.) The A-156-A Segment Diaphragm has been installed upside-down.
 (b.) The Inside Cover has been distorted from wear, freezing or abuse.

- SOLUTION:** (a.) Replace the Segment Diaphragm to the proper position as instructed by markings on the Diaphragm.
 (b.) Replace Inside Cover.

7. PROBLEM: Leaking at Handle Assembly.

- CAUSE:** (a.) The B-39 Seal is worn or deteriorated.
 (b.) Handle gasket has been omitted.
 (c.) Valve Handle Bushing is worn.

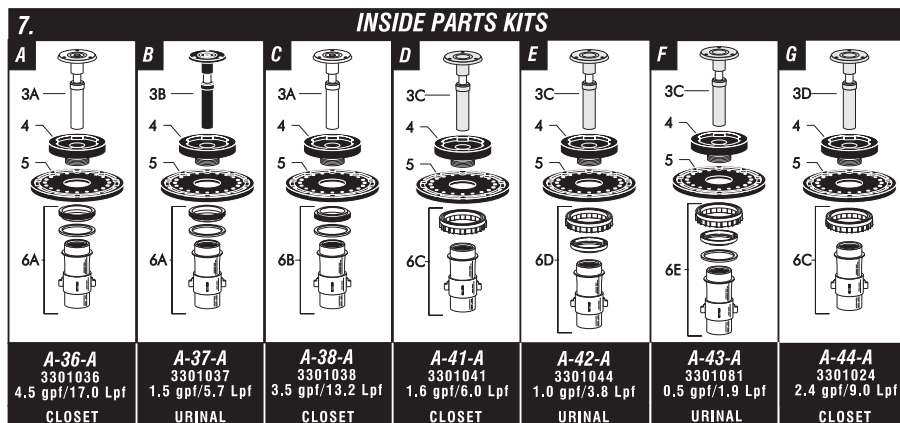
- SOLUTION:** (a.) Install new B-39 Seal. NOTE: The B-39 Seal will easily slide right onto the B-40 Bushing if it is wet.
 (b.) Install A-31 Handle Gasket or Sloan Handle Repair Kit (B-50-A).
 (c.) Install Sloan Handle Repair Kit (B-50-A).

CARE AND CLEANING INSTRUCTIONS

DO NOT use abrasive or chemical cleaners to clean Flushometers, they may dull the luster and attack the chrome or special decorative finishes. Use ONLY soap and water, then wipe dry with a clean towel or cloth.

While cleaning the bathroom tile, the Flushometer should be protected from any splattering of cleaner. Acids and cleaning fluids can discolor or remove chrome plating.

If further assistance is required, please contact the Sloan Valve Company Installation Engineering Dept. at 1-888-SLOAN-14.



SLOAN VALVE COMPANY • 10500 SEYMOUR AVENUE • FRANKLIN PARK, IL 60131

Phone: 1-800-9-VALVE-9 or 1-847-671-4300 • Fax: 1-800-447-8329 or 1-847-671-4380 • <http://www.sloanvalve.com>