

Features

- Metal construction
- Two quarter-turn washerless ceramic disc valves
- For 8" (203 mm) centers
- 9" (229 mm) swing spout reach
- Available with or without matching finish sidespray
- 360° swing spout with 8-1/2" (216 mm) clearance below spout
- 1.8 gallons (6.8 L) per minute maximum flow rate at 60 psi (4.1 bar)
- Meets CalGreen requirements for kitchen faucets

DECK-MOUNT KITCHEN BRIDGE FAUCET

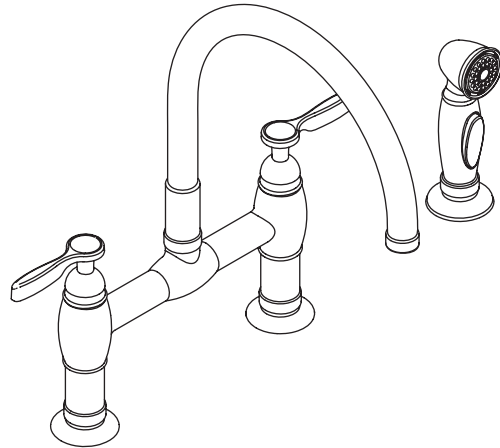
K-6130
ALSO K-6131

ADA

Codes/Standards Applicable

Specified model meets or exceeds the following at date of manufacture:

- ADA
- ASME A112.18.1/CSA B125.1
- ICC/ANSI A117.1
- Energy Policy Act of 1992
- NSF 61
- All applicable US Federal and State material regulations



Colors/Finishes

- CP: Polished Chrome
- Other: Refer to Price Book for additional colors/finishes

Specified Model

Model	Description	Colors/Finishes	
K-6130-3	Deck-mount kitchen bridge faucet – tri handles, without sidespray	<input type="checkbox"/> CP	<input type="checkbox"/> Other ____
K-6130-4	Deck-mount kitchen bridge faucet – lever handles, without sidespray	<input type="checkbox"/> CP	<input type="checkbox"/> Other ____
K-6131-3	Deck-mount kitchen bridge faucet – tri handles, with sidespray	<input type="checkbox"/> CP	<input type="checkbox"/> Other ____
K-6131-4	Deck-mount kitchen bridge faucet – lever handles, with sidespray (shown)	<input type="checkbox"/> CP	<input type="checkbox"/> Other ____

Optional Accessories

1089003	Low flow kit – reduces maximum flow to 1.5 gpm (5.7 L) at 60 psi (4.1 bar)	<input type="checkbox"/> NA
1088956	High flow kit – increases maximum flow to 2.2 gpm (8.3 L) at 60 psi (4.1 bar)	<input type="checkbox"/> NA
1030920	Side spray deep roughing-in kit	<input type="checkbox"/> NA

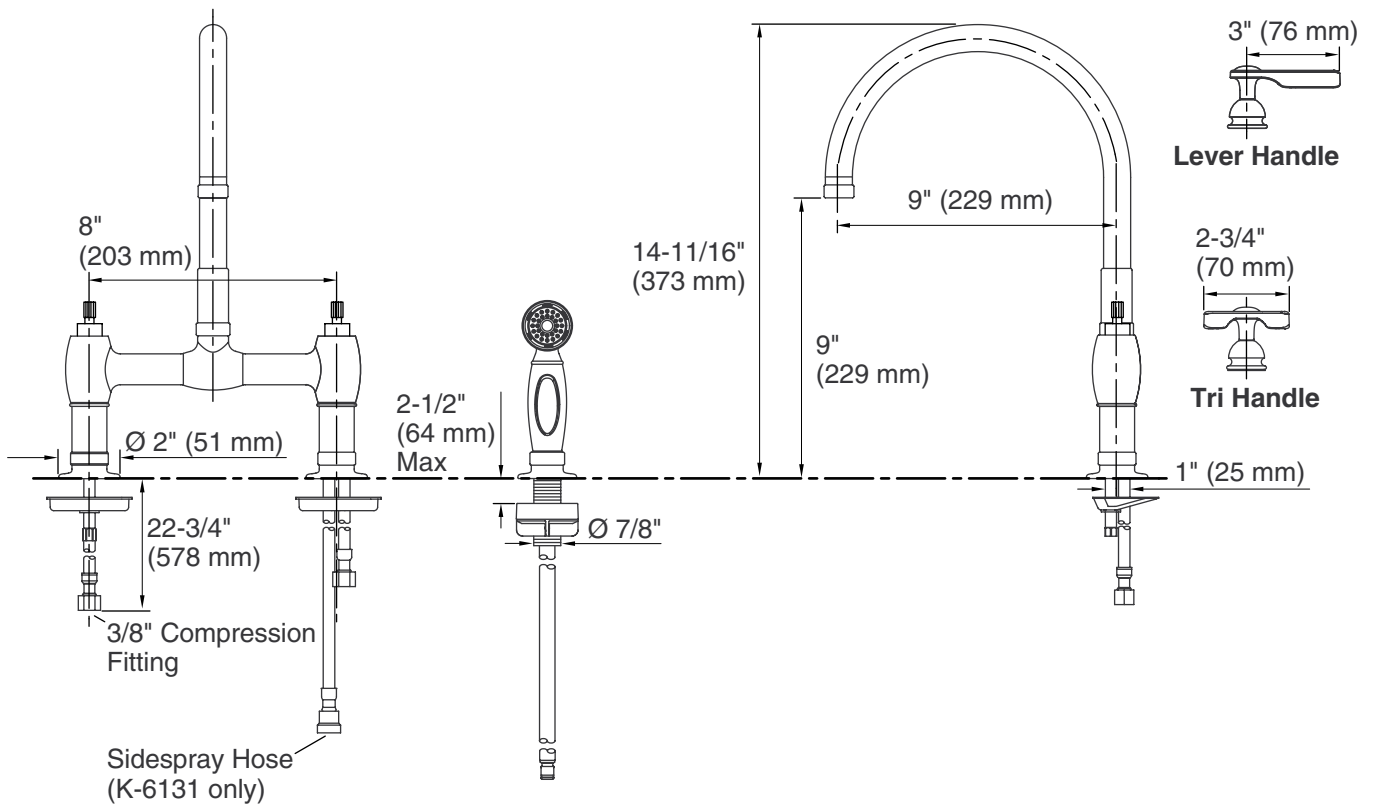
Product Specification

The deck-mount kitchen bridge faucet shall be constructed of metal. Product shall feature a 1.8 gallons (6.8 L) per minute maximum flow rate at 60 psi (4.1 bar). Product shall meet CalGreen requirements for kitchen faucets. Product shall feature two quarter-turn washerless ceramic disc valves, 9" (229 mm) swing spout reach, and a 360° swing spout with 8-1/2" (216 mm) clearance below spout. Product shall be available with or without a matching finish sidespray. Product shall be for 8" (203 mm) centers. Faucet shall be Kohler Model K-____-____-____.

Installation Notes

Install this product according to the installation guide.

ADA compliant when installed to the specific requirement of the regulation.



Product Diagram