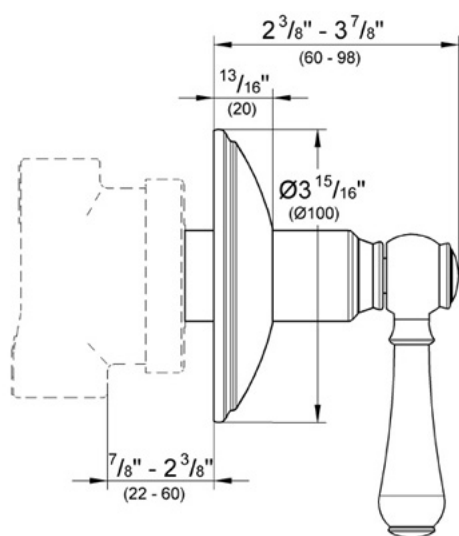


## 19 220 3-port Diverter Trim



### Description

1 inlet, 2 outlets  
Geneva brass or porcelain lever handle

For use with 29 712 diverter rough-in valve.

### Flow Rate

NA

### Code Compliance

ASME/ANSI A112.18.1M  
ADA Compliant

### Finish Options

- 19 220 OOO Starlight® Chrome
- 19 220 ROO Infinity Polished Brass
- 19 220 AVO Infinity Satin Nickel
- 19 220 RRO Velour Chrome
- 19 220 BEO Sterling Infinity Finish
- 19 220 BAO Chrome/Porcelain
- 19 220 MAO Polished Brass/Porcelain
- 19 220 HAO Satin Nickel/Porcelain
- 19 220 PAO Sterling/Porcelain
- 19 220 BPO Brushed Nickel/Porcelain
- 19 220 ENO Infinity Brushed Nickel
- 19 220 ZBO Oil Rubbed Bronze