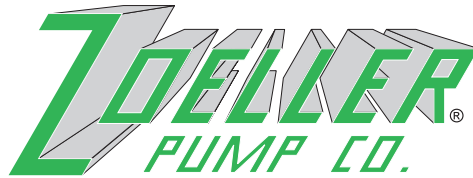


"QUALITY PUMPS SINCE 1939"

Product information presented here reflects conditions at time of publication. Consult factory regarding discrepancies or inconsistencies.



SECTION: 2.30.015

FM1495

0305

Supersedes

0404

MAIL TO: P.O. BOX 16347 • Louisville, KY 40256-0347  
SHIP TO: 3649 Cane Run Road • Louisville, KY 40211-1961  
(502) 778-2731 • 1 (800) 928-PUMP • FAX (502) 774-3624

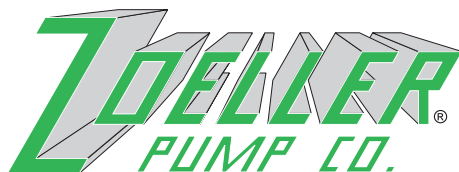
visit our web site:  
[www.zoeller.com](http://www.zoeller.com)

### COMPARE THESE FEATURES

- Non-Clogging Vortex Impeller Design.
- Float operated, submersible (NEMA 6) 2-pole switch.
- Durable cast iron construction. Cast iron switch cap, motor, and pump housing.
- Engineered plastic base.
- Stainless steel screws, bolts, handle, guard, arm and seal assembly.
- Engineered, glass-filled, plastic impeller with metal insert.
- UL Listed 3-wire cord and plug. 15 ft. cord standard for automatic & nonautomatic.
- Corrosion resistant powder coated epoxy finish.
- Motor - .4 HP 115V & 230V, 1Ph., 60 Hz, 1725 RPM, oil filled PSC motor, hermetically sealed, automatic reset thermal overload protection.
- Upper and lower sleeve bearings running in bath of oil.
- Carbon and ceramic shaft seal.
- Passes 2 inch spherical solids.
- 2" NPT Discharge.
- On point - 12½" • Off point - 4½"

**Note:** The sizing of effluent systems normally requires variable level float(s) controls and properly sized basins to achieve required pumping cycles or dosing timers with nonautomatic pumps.

### SIMPLEX AND DUPLEX SYSTEMS AVAILABLE



Manufacturers of . . .

"QUALITY PUMPS SINCE 1939"

© Copyright 2005 Zoeller Co. All rights reserved.

## 264 SERIES

# "WASTE-MATE"

(For Pump Prefix Identification see News & Views 0052)

SUBMERSIBLE

SEWAGE/EFFLUENT\*  
OR DEWATERING PUMP

2" NPT DISCHARGE



Tested to UL Standard UL778  
& Certified to CSA  
Standard C22.2 No. 108



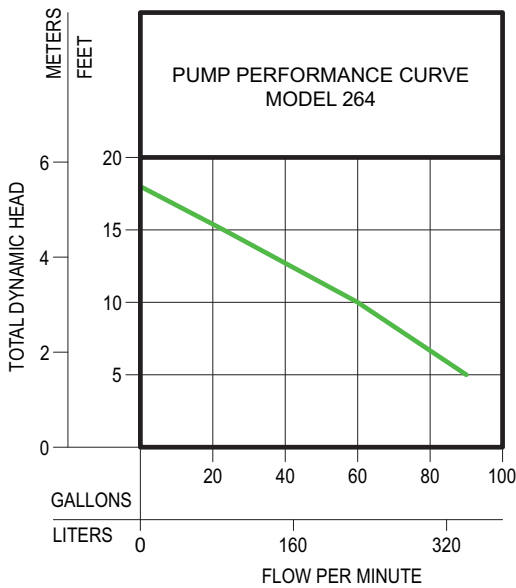
POWDER  
COATED  
TOUGH™



### MODELS AVAILABLE

- Automatic
- Nonautomatic (for variable level systems)
- BE & BN264 available packaged with Piggyback variable level float switch.

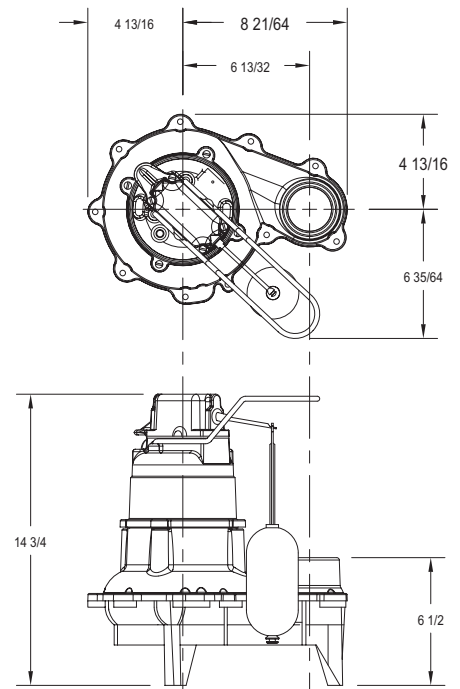
\*May be used in those states where codes do not restrict solids size in effluent systems.



**TOTAL DYNAMIC HEAD/FLOW SEWAGE AND DEWATERING**

MODEL		264	
Feet	Meters	Gallons	Liters
5	1.5	90	341
10	3.0	60	227
15	4.6	23	87
Shut-off Head:		18 ft (5.5 m)	

009931



SK1643

**CONSULT FACTORY FOR SPECIAL APPLICATIONS**

- Electrical alternators for duplex systems available with variable level float switches.
  - Minimum recommended basin size  
Simplex-18"x30"  
Duplex-30"x36"
  - Standard Automatic - Weight 34.5 lbs. .4 H.P.
  - High water alarms available.
  - Mechanical alternators available for duplex systems.
- ▲ CAUTION** Maximum temperature of sewage or dewatering must be limited to 130°F (54°C). For over 130°F (54°C) special quotation required.
- For "M" and "D" models, the approximate gallons pumped out per cycle are:
- | Tank Diameter | Gallons Pumped |
|---------------|----------------|
| 18" Simplex   | 8 Gallons      |
| 24" Simplex   | 15 Gallons     |
| 30" Duplex    | 22 Gallons     |
| 36" Duplex    | 33 Gallons     |
| 48" Duplex    | 60 Gallons     |

264 MODELS				CONTROL SELECTION		
Model	Volts	Ph	Mode	Amps	Simplex	Duplex
M264	115	1	Auto	9.4	1	4
N264	115	1	Non	9.4	2 or 3	4
D264	230	1	Auto	4.7	1	4
E264	230	1	Non	4.7	2 or 3	4

**SELECTION GUIDE**

1. Integral float operated mechanical switch, no external control required.
2. For automatic use single piggyback variable level float switch or double piggyback variable level float switch. Refer to FM0477.
3. See FM1228 for correct model of simplex control panel.
4. See FM0712 for correct model of duplex control panel or FM1663 for a residential alternator system.

**▲ CAUTION**

For information on additional Zoeller products refer to catalog on Piggyback Variable Level Float Switches, FM0477; Electrical Alternator, FM0486; Mechanical Alternator, FM0495; Sump/Sewage Basins, FM0487, and Single Phase Simplex Pump Control, FM1596; Alarm System, FM0732.

All installation of controls, protection devices and wiring should be done by a qualified licensed electrician. All electrical and safety codes should be followed including the most recent National Electric Code (NEC) and the Occupational Safety and Health Act (OSHA).

**RESERVE POWERED DESIGN**

For unusual conditions a reserve safety factor is engineered into the design of every Zoeller pump.



www.zoeller.com



MAIL TO: P.O. BOX 16347  
Louisville, KY 40256-0347  
SHIP TO: 3649 Cane Run Road  
Louisville, KY 40211-1961  
(502) 778-2731 • 1 (800) 928-PUMP  
FAX (502) 774-3624

Manufacturers of..

"QUALITY PUMPS SINCE 1939"