

#### FEATURED MODEL

511-636 White, 8" bowl depth

#### ADDITIONAL MODELS

511-635 Biscuit, 8" bowl depth

511-637 Anthracite, 8" bowl depth

511-638 Metallic Gray, 8" bowl depth

511-639 Café Brown, 8" bowl depth

#### FEATURES

- Flat sink deck allows for both drop-in and undermount installation
- 80% rock hard granite
- Color all the way through
- Highly resistant to scratching, staining and all household acids and alkali solutions
- Non-porous, easy-to-clean
- Heat resistant to 536° F
- Extremely hygienic, does not absorb odors or bacteria

#### CODE/STANDARDS COMPLIANCE

ANSI Z124.6-97

IAPMO/UPC listed

#### OPTIONAL ACCESSORIES

Sink Grid: 221-012 (Formerly 511-936)

Cutting Board: 511-136

#### WARRANTY

Blanco America's SILGRANIT® Series sinks feature a LIMITED LIFETIME WARRANTY to be free of all manufacturing defects under normal use. See our complete warranty for details.

While Blanco America endeavors to provide accurate information, all dimensions are nominal, cannot be guaranteed, and are subject to change or cancellation. Blanco America assumes no responsibility for use of superseded or voided specifications.

#### PRODUCT SPECIFICATION

Drop-In/Undermount sink to be single bowl design, 15" in length and 15" in front-to-back depth. Sink to be made from Silgranit® hard composite material. Sink to feature straight bowl sides with 5/8" cutout corner radius. Sink to be Blanco (Check one)

- Model 511-635       Model 511-636  
 Model 511-637       Model 511-638  
 Model 511-639

with bowl depth of 8". Additional knockout hole location: \_\_\_\_\_.

White 511-636

Biscuit 511-635

Anthracite 511-637

Metallic Gray 511-638

Café Brown 511-639

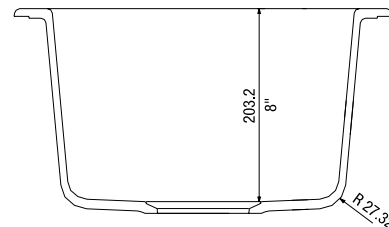
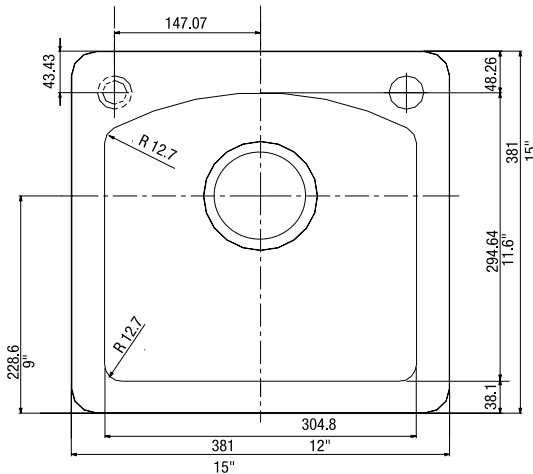


MODEL 511-636 Shown

#### NOMINAL DIMENSIONS

| OVERALL | CUTOUT SIZE     | BOWL DEPTH | DRAIN DIAMETER |
|---------|-----------------|------------|----------------|
| 15 x 15 | 14-1/4 x 14-1/4 | 8          | 3-1/2          |

DXF cutout templates (Undermount and Drop-In versions) available on our web site.



#### JOB INFORMATION

Job Name: \_\_\_\_\_

Contact: \_\_\_\_\_

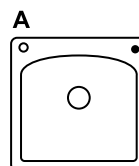
Date Specified: \_\_\_\_\_

Specifier: \_\_\_\_\_

Contractor: \_\_\_\_\_

#### KNOCKOUT HOLE LOCATIONS

Pre-drilled for single-hole faucet.



**BLANCO AMERICA**  
**800.451.5782**  
**www.blancoamerica.com**