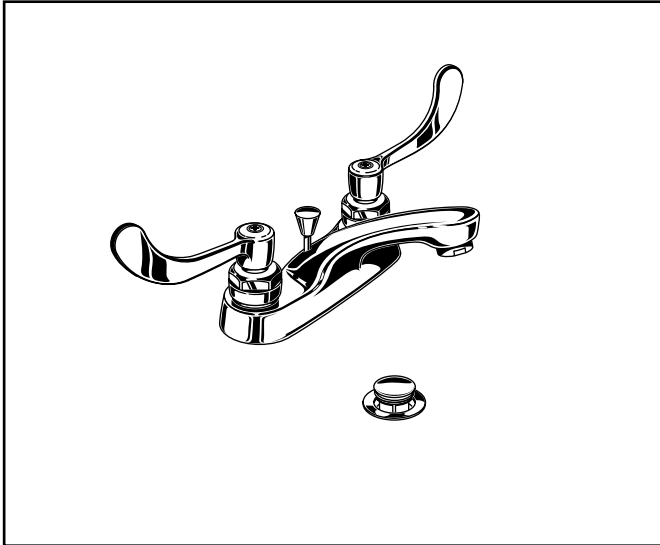


American Standard



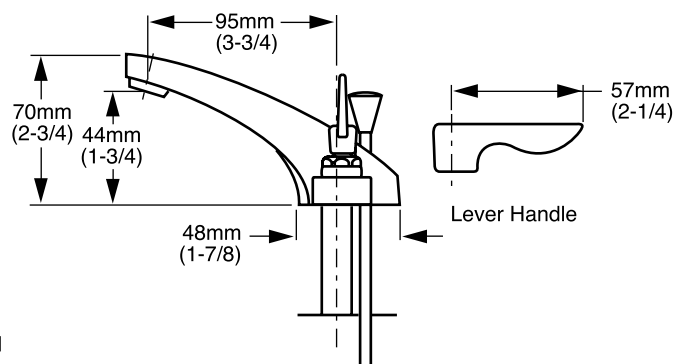
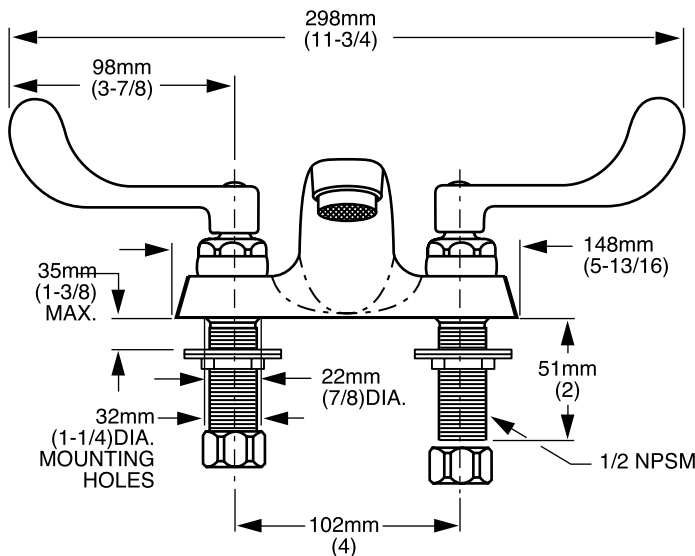
5501.170 Shown.

MONTERREY™

TWO-HANDLE CENTERSET LAVATORY FAUCET WITH CONVENTIONAL SPOUT

MODEL NUMBER:*

- 5500.170 Centerset Lavatory**
Wrist Blade handles. Less drain and pop-up hole.
- 5501.170 Centerset Lavatory**
Wrist Blade handles. Pop-up drain.
- 5502.170 Centerset Lavatory**
Wrist Blade handles. Grid strainer drain.
- 5500.140 Centerset Lavatory**
Lever handles. Less drain and pop-up hole.
- 5501.140 Centerset Lavatory**
Lever handles. Pop-up drain.
- 5502.140 Centerset Lavatory**
Lever handles. Grid strainer drain.



GENERAL DESCRIPTION:

Durable cast brass construction throughout. 1/2" male threaded inlet shanks with brass shank nuts and coupling nuts. 1/4 turn ceramic disc valve cartridges that are reversible for use on both hot and cold sides. Choice of Wrist Blade or Lever handles with blue & red color indexes. All brass drain bodies with 1 1/4" (32mm) tailpieces (on applicable models). 2.2 gpm/8.3L/min. maximum flow rate. Optional aerators available. Vandal Resistant models are available and include Vandal Resistant handles and spray.

PRODUCT FEATURES:

Solid Brass Construction: Durable - Excellent in high use applications. Ideal for prolonged contact with water.

Ceramic Disc Valve Cartridges: Assures a lifetime of drip-free performance.

Low Lead: Meets NSF Standard 61/Section 9 & Prop 65 lead requirements.

Choice of Handle Configurations: ADA approved Lever or Wrist Blade Handles.

SUGGESTED SPECIFICATION:

4" centerset lavatory faucet shall be cast brass construction with all brass shank nuts and coupling nuts. Shall also feature 1/4 turn washerless ceramic disc valve cartridges that are reversible for use on both "Hot" and "Cold" sides. Fitting shall be American Standard Model # _____ .002.



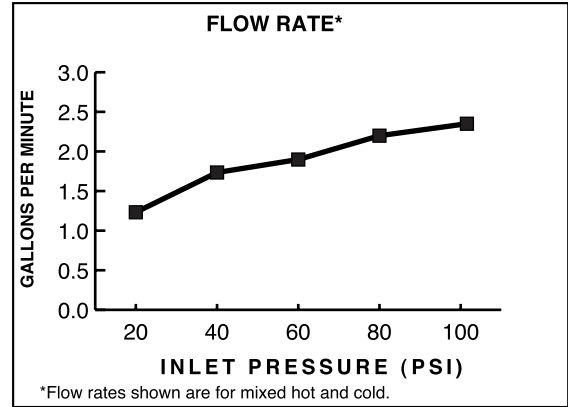
MONTERREY™

**TWO-HANDLE CENTERSET
LAVATORY FAUCET
WITH CONVENTIONAL SPOUT**

CODES AND STANDARDS


These products meet or exceed the following codes and standards:

- ASME A112.18.1M**
- CSA B 125**
- NSF 61/Section 9**



Product Number	Description	Finish
		Polished Chrome
		002
5500.170	Centerset Lavatory. Wrist Blade Handles. Less drain and pop-up hole.	
5501.170	Centerset Lavatory. Wrist Blade Handles. Pop-up drain.	
5502.170	Centerset Lavatory. Wrist Blade Handles. Grid strainer drain.	
5500.140	Centerset Lavatory. Lever Handles. Less drain and pop-up hole.	
5501.140	Centerset Lavatory. Lever Handles. Pop-up drain.	
5502.140	Centerset Lavatory. Lever Handles. Grid strainer drain.	

Note: For Vandal Resistant models add "VP" following the product number.
 Example - 5500.170VP = Centerset Lavatory. Vandal Resistant Wrist Blade Handles. Less drain and pop-up hole.

 Meets the American Disabilities Act Guidelines and **ANSI A117.1** Requirements for the physically challenged.