

T430.700 Shown

**MODEL NUMBER:**

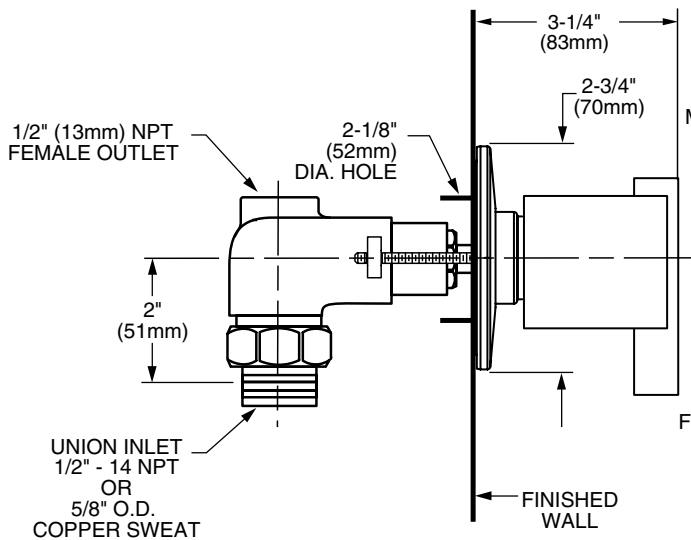
**TRIM KITS:**

- T430.700 Berwick On/Off & Volume Control Valve Trim**  
Valve Trim ONLY. Lever Handle. LESS Valve.
- T430.702 Berwick On/Off & Volume Control Valve Trim**  
Valve Trim ONLY. Cross Handle. LESS Valve.

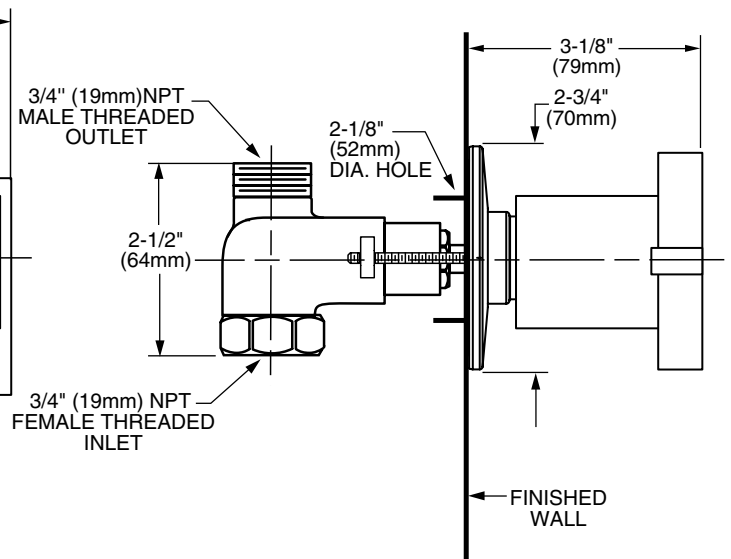
**ROUGH VALVE BODIES:**

- R701 On/Off & Volume Control Valve Rough**  
1/2" inlet/outlet. Less handle.
- R711 On/Off & Volume Control Valve Rough**  
3/4" inlet/outlet. Less handle.

**Model R701**  
1/2" NPT



**Model R711**  
3/4" NPT



**GENERAL DESCRIPTION:**

Cast brass valve body. Amaris washerless ceramic disc valve cartridge. Choice of 1/2" or 3/4" NPT inlets and outlets. Trim is brass construction.

**PRODUCT FEATURES:**

**Brass Construction:** Durable - Excellent in high use applications. Ideal for prolonged contact with water.

**Ceramic Disc Valve Cartridge:** Assures a lifetime of drip-free performance.

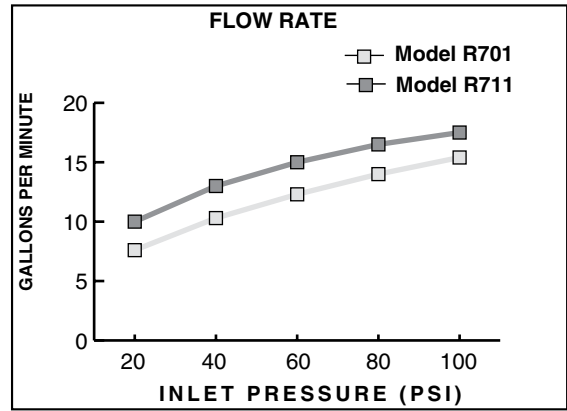
**SUGGESTED SPECIFICATION:**

In-wall single valve shall feature a cast brass valve body. Model R701 shall feature combination 1/2" NPT threaded and direct sweat inlets. 1/2" NPT female outlet. Model R711 shall feature 3/4" female inlet. 3/4" male outlet. Shall also feature 1/4 turn washerless ceramic disc valve cartridges. Trim shall be constructed of brass. Fitting shall be American Standard Model # T430.70\_ (Trim) and R7\_1 (Rough Valve Body).

**CODES AND STANDARDS**

These products meet or exceed the following codes and standards:

**ASME A112.18.1**  
**CSA B125.1**



TRIM KITS**	Product Number	Description	Finish Options	
			Polished Chrome	PVD Satin Nickel
			002	295
T430.700	On/Off & Volume Control Valve Trim. Lever Handle. LESS Valve.			
T430.702	On/Off & Volume Control Valve Trim. Cross Handle. LESS Valve.			

ROUGH VALVE BODIES	Product Number	Description
	R701	In-wall single valve. 1/2" inlet/outlet. Less handle.
	R711	In-wall single valve. 3/4" inlet/outlet. Less handle.

**\*\* ROUGHS AND TRIMS MUST BE ORDERED SEPARATELY.**

Meets the American Disabilities Act Guidelines and **ANSI A117.1** Requirements for the physically challenged.