

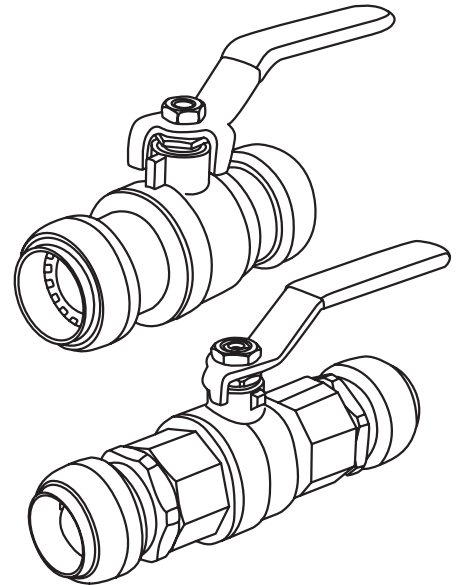
# SharkBite® Ball Valve

## DESCRIPTION

The Cash Acme SharkBite® Ball Valves are high quality forged brass ball valves with SharkBite® connections. The SharkBite® connections allows the user to connect the ball valves to copper tubing, CPVC and Pex in seconds with relative ease.

## FEATURES AND BENEFITS

- Convenient single lever control:  
*Makes them easy to use and encourages shut-off of water supply.*
- Full Port Ball Valve:  
*Allows water to flow freely through valve.*
- Instant push-fit connections for increased ease of use:  
*No soldering, clamps, unions, or glue required.*
- Valve assembled to strict quality standards:  
*Measured thread engagement, measured torque.*



## SPECIFICATION DATA

### Performance:

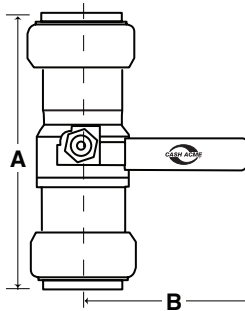
Maximum pressure ..... 200 psi  
 Maximum temperature ..... 200°F (water)  
 Service ..... Water

### Ball Valve Materials:

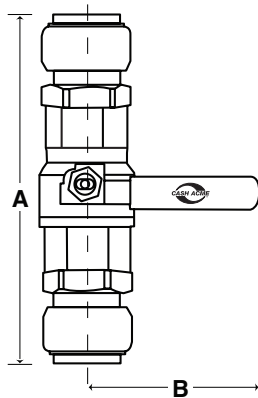
Body ..... Brass  
 Seat Ring ..... PTFE  
 Ball ..... Brass, chrome plated  
 Body End Retainer ..... Brass  
 Stem ..... Brass  
 O-ring ..... NBR  
 Packing ..... PTFE  
 Packing Nut ..... Brass  
 Handle ..... Zinc plated steel  
 Handle Nut ..... Zinc plated steel

### SharkBite® Materials:

Body ..... DZR brass  
 O-ring ..... EPDM  
 Grab Ring ..... Stainless steel  
 Tube support liner ..... Polysulfone



Dimensions	A	B
1/2" (22222-0000)	3.06"	3.70"
3/4" (22185-0000)	3.62"	3.70"
1" (22223-0000)	4.40"	4.66"



Dimensions	A	B
3/4" FNPT X 3/4" (22186-0000)	3.75"	4.5"

## CONNECTIONS

SharkBite® ..... 1/2" through 1"

## CERTIFICATIONS

The SharkBite® Ball Valve 1/2", 3/4" and 1" are certified to IGC-157/NSF-61, and listed by IAPMO.

