

Recessed Fixtures Technical Specification

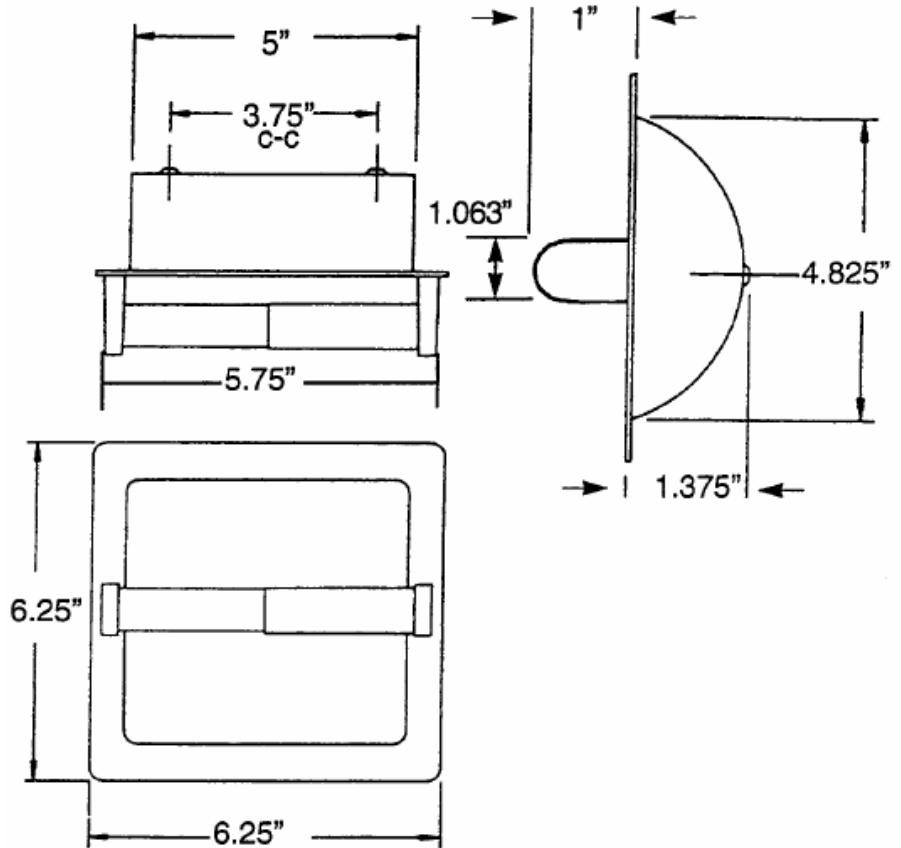
Recessed Paper Holders

1576

Stock Numbers:

- q 1576SS – Recessed Paper Holder
Polished Stainless Steel Finish
White Roller

Dimensions:



Materials:

Stainless Steel Recessed Paper Holder shell is stamped from corrosion resistant type 304 stainless steel with a polished finish. Roller is plastic and spring loaded.

Installation Instructions:

Cut out wall opening $5 \frac{1}{4}'' \times 5 \frac{1}{4}'' \times 1 \frac{7}{8}''$ depth. If wood blocking is available, install recess shell into opening using $1 \frac{1}{4}''$ screws (provided). If wood blocking is not available, use optional installation clamp: BR587 or 588.

Stock Number: _____ Recessed Paper Holder
By Creative Specialties



25300 AL MOEN DRIVE • NORTH OLMSSTED, OH 44070
CORPORATE HEADQUARTERS: (800) 321-8809 • FAX: (800) 848-6636
INTERNATIONAL: (440) 962-2000 • FAX: (440) 962-2726
CUSTOMER SERVICE (USA): 800-882-0116 • FAX: (888) 379-2720
WWW.CSI.MOEN.COM

©Copyright Creative Specialties International 2006