

Rothbury™ Technical Specification

18" & 24" Towel Bar

YB8218 & YB8224

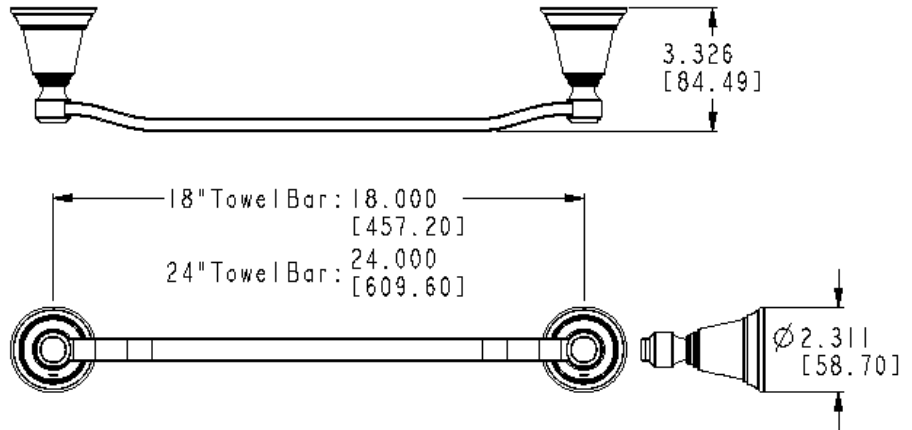
Stock Numbers:

- q **YB8218AZ – 18" Towel Bar**
Antique Bronze Finish
- q **YB8224AZ – 24" Towel Bar**
Antique Bronze Finish
- q **YB8218BN – 18" Towel Bar**
Brushed Nickel Finish
- q **YB8224BN – 24" Towel Bar**
Brushed Nickel Finish
- q **YB8218CH – 18" Towel Bar**
Chrome Finish
- q **YB8224CH – 24" Towel Bar**
Chrome Finish
- q **YB8218ORB – 18" Towel Bar**
Oil Rubbed Bronze Finish
- q **YB8224ORB – 24" Towel Bar**
Oil Rubbed Bronze Finish

Materials:

Towel bar posts are constructed of zinc. Bar is constructed of aluminum.

Dimensions:



Installation Instructions:

1. Position the mounting template on the wall in the desired location. Using a level, align the template and tape it to the wall.
2. Remove each mounting post from the body by loosening the setscrew.
3. Place each mounting post on the template with notch facing down.
4. Mark the 2 large hole locations of each mounting bracket.
5. Attach each mounting bracket to the wall, using the wall anchors provided
6. Mount each base on the corresponding mounting bracket. Check and make sure that the base set screw hole(s) are facing down. Assemble a set screw to each base. Use the allen wrench included in hardware kit to tighten each set screw and secure the assembly to the mounting bracket(s).
7. Tighten all 4 screws. Do not over tighten.
8. Assemble the Towel bar and posts.
9. While assembled, Position each end post with the setscrew down and place over mounting post. Tighten the setscrew at the bottom of each base.

Cleaning Instructions:

To preserve the fine finish of this product, clean only with a soft damp cloth. Dry well. Do not use commercial or abrasive cleaners.

Stock Number: _____ **Towel Bar**
By Creative Specialties



25300 AL MOEN DRIVE • NORTH OLMSTED, OH 44070
CORPORATE HEADQUARTERS: (800) 321-8809 • FAX: (800) 848-6636
INTERNATIONAL: (440) 962-2000 • FAX: (440) 962-2726
CUSTOMER SERVICE (USA): 800-882-0116 • FAX: (888) 379-2720
WWW.CSI.MOEN.COM

©Copyright Creative Specialties International

Literature #BA1436