

**Lustertone® Undermount Double Bowl Sink
Models ELUH3221L and ELUH3221R**



SPECIFICATIONS

GENERAL

Highest quality sink seamlessly drawn of #18 gauge, type 304 (18-8) nickel bearing stainless steel. Underside of sink is fully protected by heavy duty Sound Guard™ undercoating. Designed to accept waste disposer.

DESIGN FEATURES

Bowl Depths: ELUH3221 Series – 7-1/2" (large bowl), 5-9/16" (small bowl). ELUH322110 Series – 10" (large bowl), 5-9/16" (small bowl).

Finish: Exposed surfaces are hand blended to a lustrous highlighted satin finish.

Underside: Fully protected by heavy duty Sound Guard™ undercoating to prevent condensation and deaden sound.

OTHER

Drain Opening: 3-1/2".

Note: All Elkay custom design undermount sinks are designed to affix easily to the underside of any solid surface countertop.

Recommended Minimum Cabinet Size: 36".

OPTIONAL ACCESSORIES

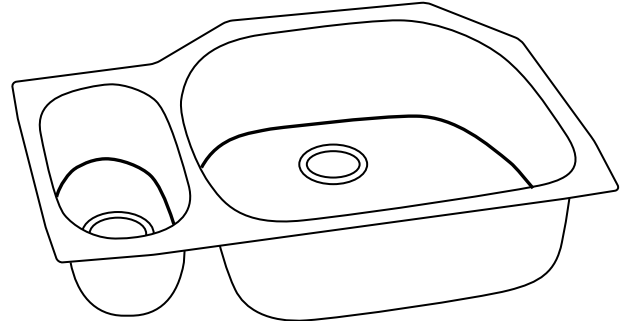
Rinsing Baskets: LKRB1614, LKRB715, DB1420 and LKERBSS.

Bottom Grid: LKOBG1821.


Cutting Board: CBT2213.

Colander: SC1407.

These sinks comply with ANSI Standard A112.19.3M.



Model ELUH3221L

 This sink is listed by the International Association of Plumbing and Mechanical Officials as meeting the requirements of the Uniform Plumbing Code.

SINK DIMENSIONS (INCHES)*

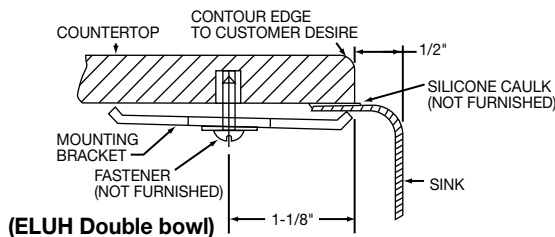
Model Number	Overall		Inside Left Bowl			Inside Right Bowl			Cutout in Countertop	Ship. Wt. Lbs.
	L	W	L	W	D	L	W	D		
ELUH3221L	31 1/2	21 1/8	7	14 1/8	5 9/16	21 1/32	18 5/8	7 1/2	See	147/8
ELUH3221R	31 1/2	21 1/8	21 1/32	18 5/8	7 1/2	7	14 1/8	5 9/16		147/8
ELUH322110L	31 1/2	21 1/8	7	14 1/8	5 9/16	21 1/32	18 5/8	10	Template**	167/8
ELUH322110R	31 1/2	21 1/8	21 1/32	18 5/8	10	7	14 1/8	5 9/16		167/8

*Length is left to right. Width is front to back.

**Template and countertop mounting clips are packed with every sink.

Installation Profile of ELUH Double Bowl Models

The template provided with each ELUH sink provides the only type of installation recommended by Elkay.

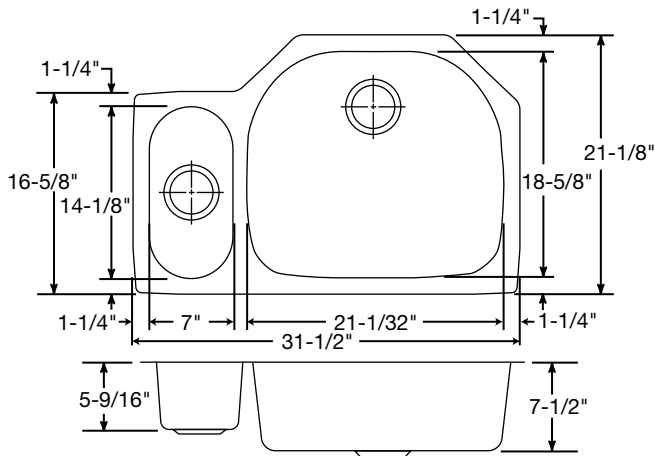


ALL DIMENSIONS IN INCHES, TO CONVERT TO MILLIMETERS MULTIPLY BY 25.4.

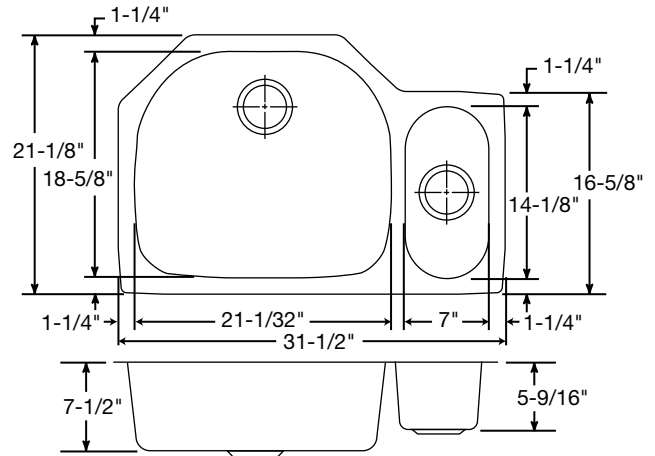
In keeping with our policy of continuing product improvement, Elkay reserves the right to change product specifications without notice.

This specification describes an Elkay product with design, quality and functional benefits to the user. When making a comparison of other producers' offerings, be certain these features are not overlooked.

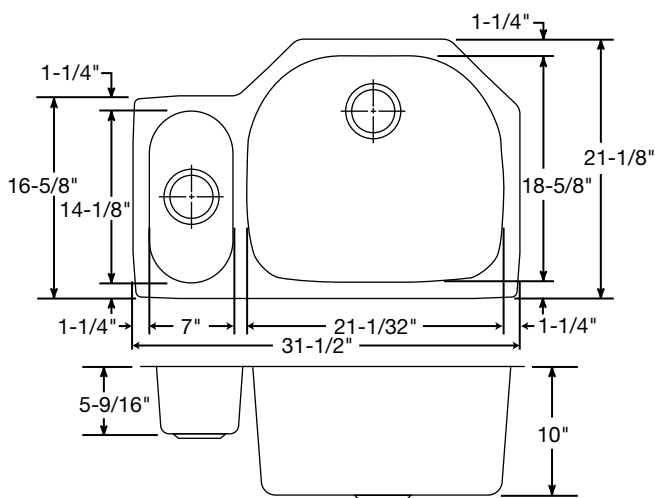
SPECIFICATIONS



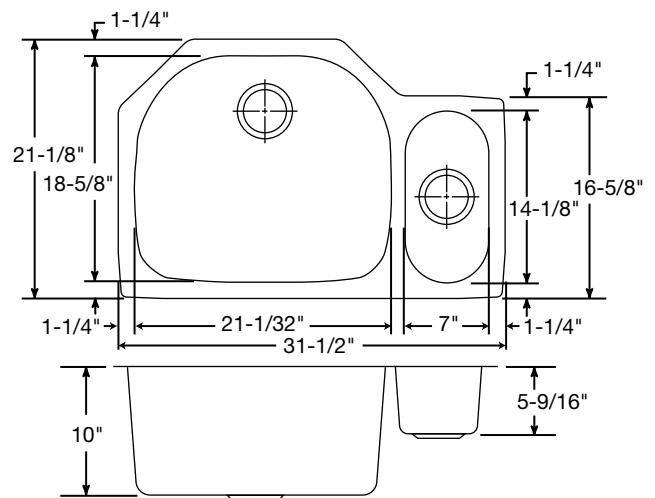
Model ELUH3221L Illustrated



Model ELUH3221R Illustrated



Model ELUH322110L Illustrated



Model ELUH322110R Illustrated

Installation Profile of ELUH Double Bowl Models

The template provided with each ELUH sink provides the only type of installation recommended by Elkay.

