

ELKAY® SPECIFICATIONS

Sink Accessories Antique Copper Drains Models LK35AC, LKD35AC, LK36AC, LK174LOAC

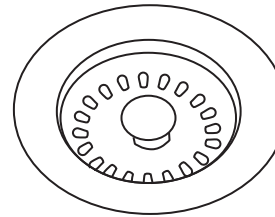
GENERAL

LK35AC Drain with removable basket strainer and rubber stopper. Fits 3-1/2" openings with an overall diameter of 4-1/2". Antique Copper finish.

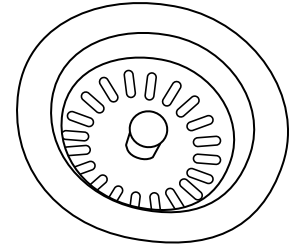
LKD35AC Disposer drain with removable basket strainer and rubber stopper. Designed to snap over the most popular 3-1/2" drain opening disposers. Overall flange size is 4-1/2". Antique Copper finish.

LK36AC Drain with removable basket strainer and rubber stopper. Fits 2" openings with an overall diameter of 2-3/4". Antique Copper finish.

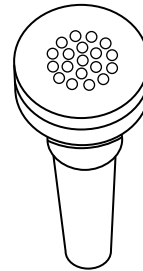
LK174LOAC Grid drain with 1-1/4" O.D. x 6" tailpiece. Fits 1-1/2" openings with an overall diameter of 2-1/4". Not arranged for a sink with an overflow. Antique Copper finish.



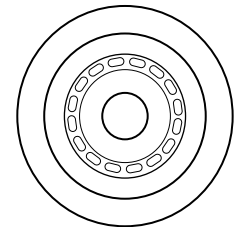
Model LK35AC



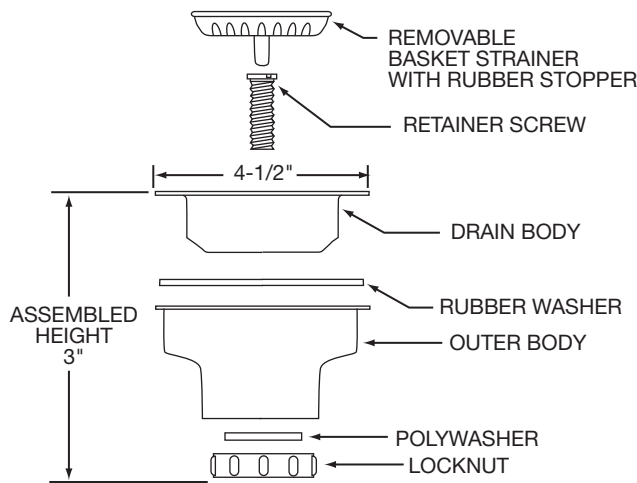
Model LKD35AC



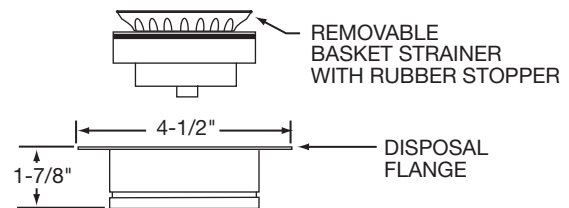
Model LK174LOAC



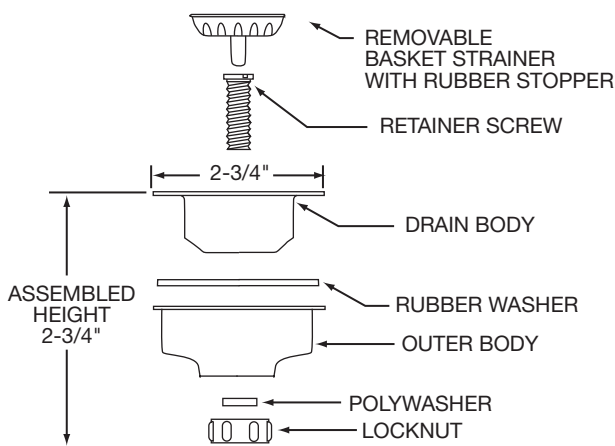
Model LK36AC



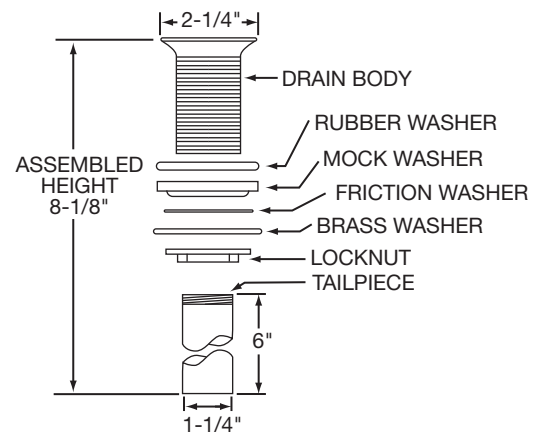
Model LK35AC Illustrated



Model LKD35AC Illustrated



Model LK36AC Illustrated



Model LK174LOAC Illustrated

ALL DIMENSIONS IN INCHES, TO CONVERT TO MILLIMETERS MULTIPLY BY 25.4.

In keeping with our policy of continuing product improvement, Elkay reserves the right to change product specifications without notice.

This specification describes an Elkay product with design, quality and functional benefits to the user. When making a comparison of other producers' offerings, be certain these features are not overlooked.