

Features

- Available 54 or 22 nozzle configurations
- 2.5 gallons (9.5 L) per minute maximum flow rate (at 80 psi)
- 1/2" NPT connections

BODYSPRAY
K-8002
ALSO K-8003

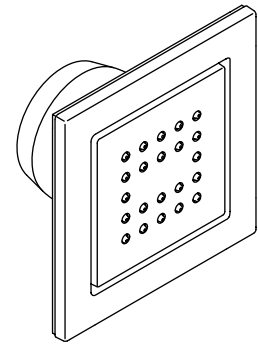
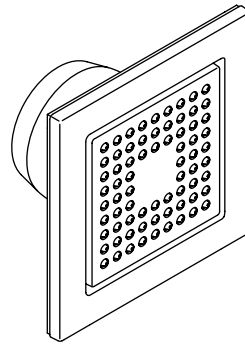
Codes/Standards Applicable

Specified model meets or exceeds the following:

- ASME A112.18.1
- CSA B125
- IAPMO/UPC
- Energy Policy Act of 1992 (EPACT)

K-8002

K-8003



Colors/Finishes

- CP: Polished Chrome
- Other: Refer to Price Book for additional colors/finishes

Specified Model

Model	Description	Colors/Finishes	
K-8002	54 nozzle Bodyspray	<input type="checkbox"/> CP	<input type="checkbox"/> Other_____
K-8003	22 nozzle Bodyspray	<input type="checkbox"/> CP	<input type="checkbox"/> Other_____

Product Specification

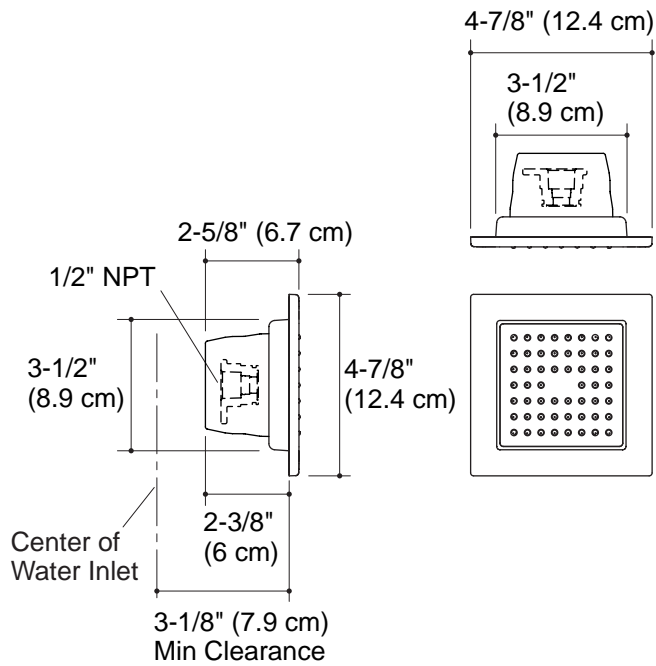
Bodyspray shall feature 54 nozzle or 22 nozzle spray configurations. Product flow rate shall be 2.5 gallons (9.5 L) per minute maximum at 80 psi. Bodyspray shall have 1/2" NPT connection. Bodyspray shall be Kohler Model K-____-____.

WATERTILE™

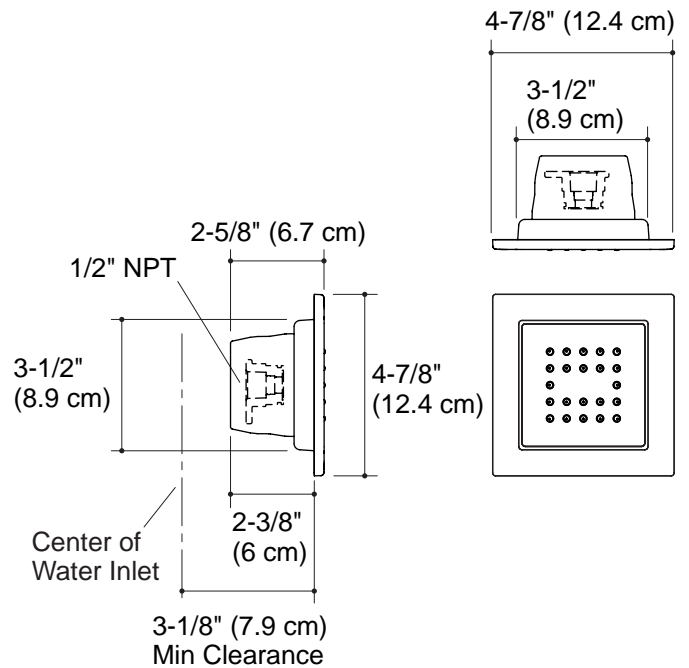
Installation Notes

Install this product according to the installation guide.

K-8002



K-8003



Product Diagram