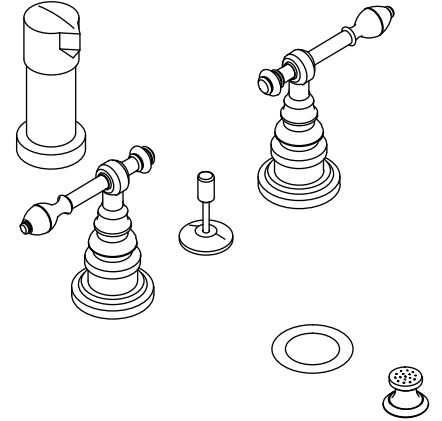


IV GEORGES BRASS®

**BIDET FAUCET
K-6814**

Features

- Brass construction
- Flexible connections for easy installation
- Brass valve bodies
- Quarter-turn washerless ceramic disc valves
- Pop-up drain with lift rod and tailpiece
- Available with cross or lever handles
- Vertical spray
- Fixture-mount transfer valve/vacuum breaker



Codes/Standards Applicable



Specified model meets or exceeds the following:

- ASME A112.18.1/CSA B125.1
- ASSE 1001

Colors/Finishes

- PB: Vibrant® Polished Brass
- Other: Refer to Price Book for additional colors/finishes

Specified Model

Model	Description				
K-6814-3	Bidet faucet with cross handles	<input type="checkbox"/> PB	<input type="checkbox"/> Other ____		
K-6814-4	Bidet faucet with lever handles			<input type="checkbox"/> PB	<input type="checkbox"/> Other ____
Optional Accessories					
K-6792	IV Georges Brass accent kit (for K-6814-3)	<input type="checkbox"/> PB	<input type="checkbox"/> Other ____		
K-6797	IV Georges Brass accent kit (for K-6814-4)			<input type="checkbox"/> PB	<input type="checkbox"/> Other ____

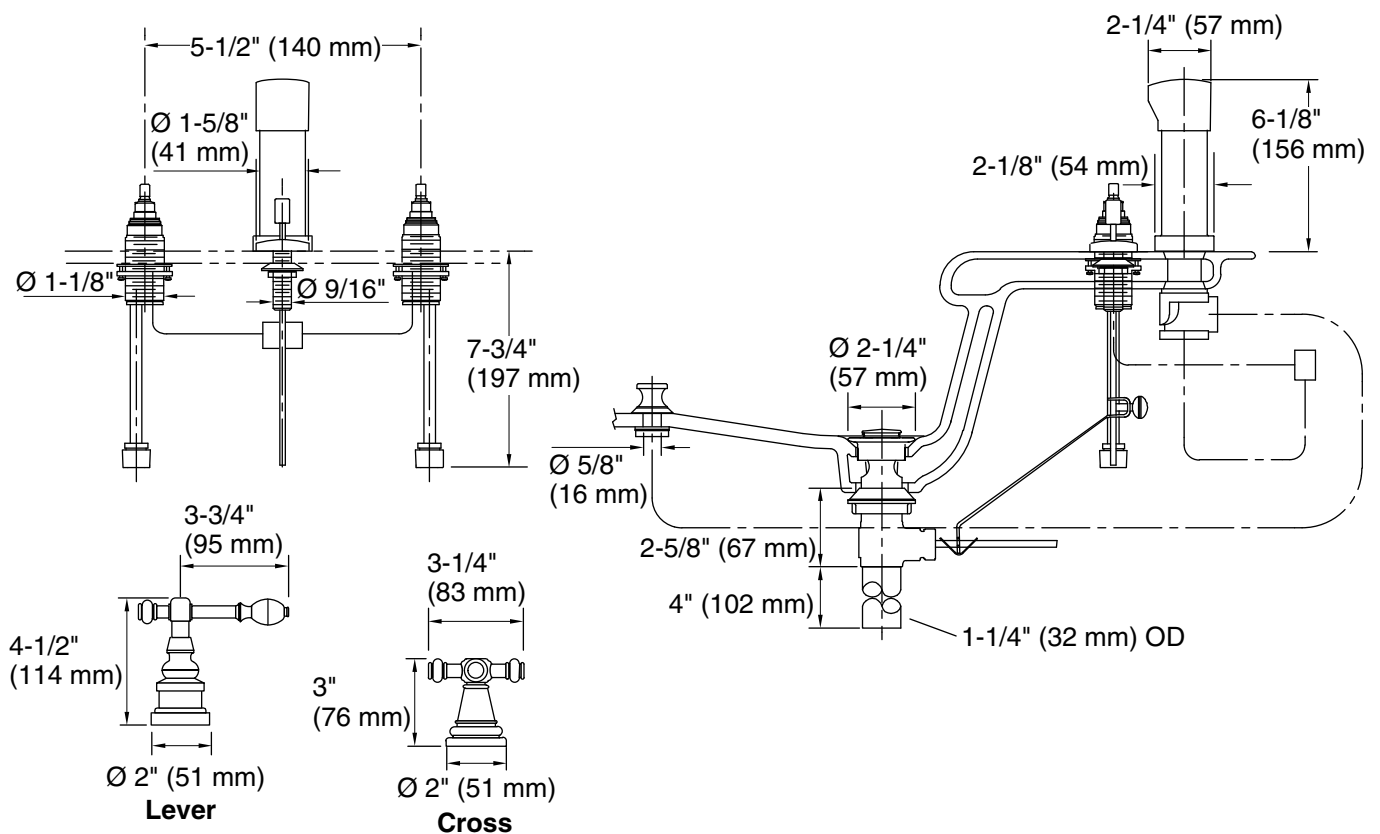
Product Specification

Two-handle bidet faucet shall be of brass construction. Faucet shall feature brass valve bodies. Faucet shall feature quarter-turn washerless ceramic disc valves. Product shall include flexible connections for easy installations, pop-up drain with lift rod and tailpiece, cross or lever handles, fixture-mount transfer valve/vacuum breaker, and vertical spray. Faucet shall be Kohler Model K-6814-_____-_____.

IV GEORGES BRASS®

Installation Notes

Install this product according to the installation guide.



Product Diagram