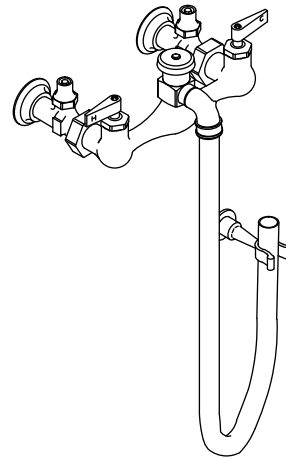


**SERVICE SINK FAUCET
K-8928**

ADA

Features

- Brass construction
- For 8" (203 mm) centers
- Brass valve bodies
- Valvet® valves
- ADA compliant lever handles
- 3" (76 mm) threaded spout for hose connection
- 7" (178 mm) wall-to-spout outlet
- Rubber hose
- Wall hook
- Internal NPT connections



Codes/Standards Applicable

Specified model meets or exceeds the following:

- ASME A112.18.1/CSA B125.1
- ADA
- ICC/ANSI A117.1

Colors/Finishes

- CP: Polished Chrome

Specified Model

Model	Description	Colors/Finishes
K-8928	Service sink faucet	<input type="checkbox"/> CP

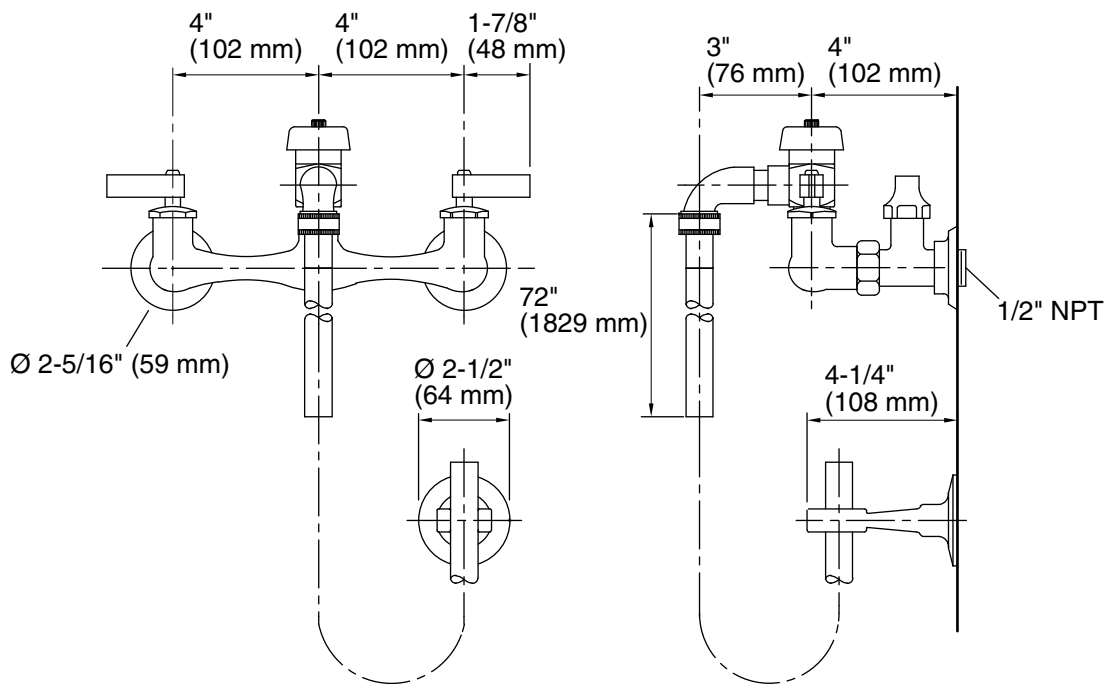
Product Specification

Two-handle service sink faucet shall be of brass construction. Faucet shall feature brass valve bodies. Faucet shall also feature Valvet valves. Product shall include 8" (203 mm) centers, 3" (76 mm) threaded spout for hose connection, 7" (178 mm) wall-to-spout outlet, lever handles, vacuum breaker, loose key stops, rubber hose, wall hook, and internal NPT connections. Faucet shall be Kohler Model K-8928-CP.

Installation Notes

Install this product according to the installation guide.

Product complies with ASME A112.18.1/CSA B125.1. All dimensions are nominal.



Product Diagram