

**BATH FAUCET TRIM
K-T10278**

ADA

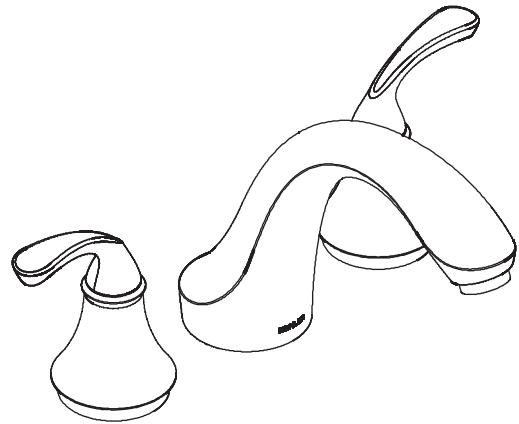
Features

- Brass construction
- Bath- or deck-mount
- ADA compliant lever handles
- 7" (178 mm) non-diverter spouts with slip-fit connection

Codes/Standards Applicable

Specified model meets or exceeds the following:

- ASME A112.18.1/CSA B125.1
- ADA





Colors/Finishes

- CP: Polished Chrome
- Other: Refer to Price Book for additional colors/finishes

Accessories

- NA: None applicable

Specified Model

| Model | Description |  <small>ADA CSA B651 OBC</small> | |  <small>ADA CSA B651 OBC</small> | |
|-------------|--|--|--------------------------------------|--|--------------------------------------|
| K-T10278-4 | Forte® bath faucet trim with sculpted lever handles | <input type="checkbox"/> CP | <input type="checkbox"/> Other _____ | | |
| K-T10278-4A | Forte® bath faucet trim with traditional lever handles | | | <input type="checkbox"/> CP | <input type="checkbox"/> Other _____ |

| Required Accessories | | |
|----------------------|--|-----------------------------|
| K-300-K | 1/2" High-Flow Ceramic Disc Valve System OR | <input type="checkbox"/> NA |
| K-301-K | 3/4" High-Flow Ceramic Disc Valve System | <input type="checkbox"/> NA |

| Optional Accessories | | |
|----------------------|--|-----------------------------|
| 73444 | Deep roughing-in kit for high-flow deck-mount bath faucets (all handles) | <input type="checkbox"/> NA |

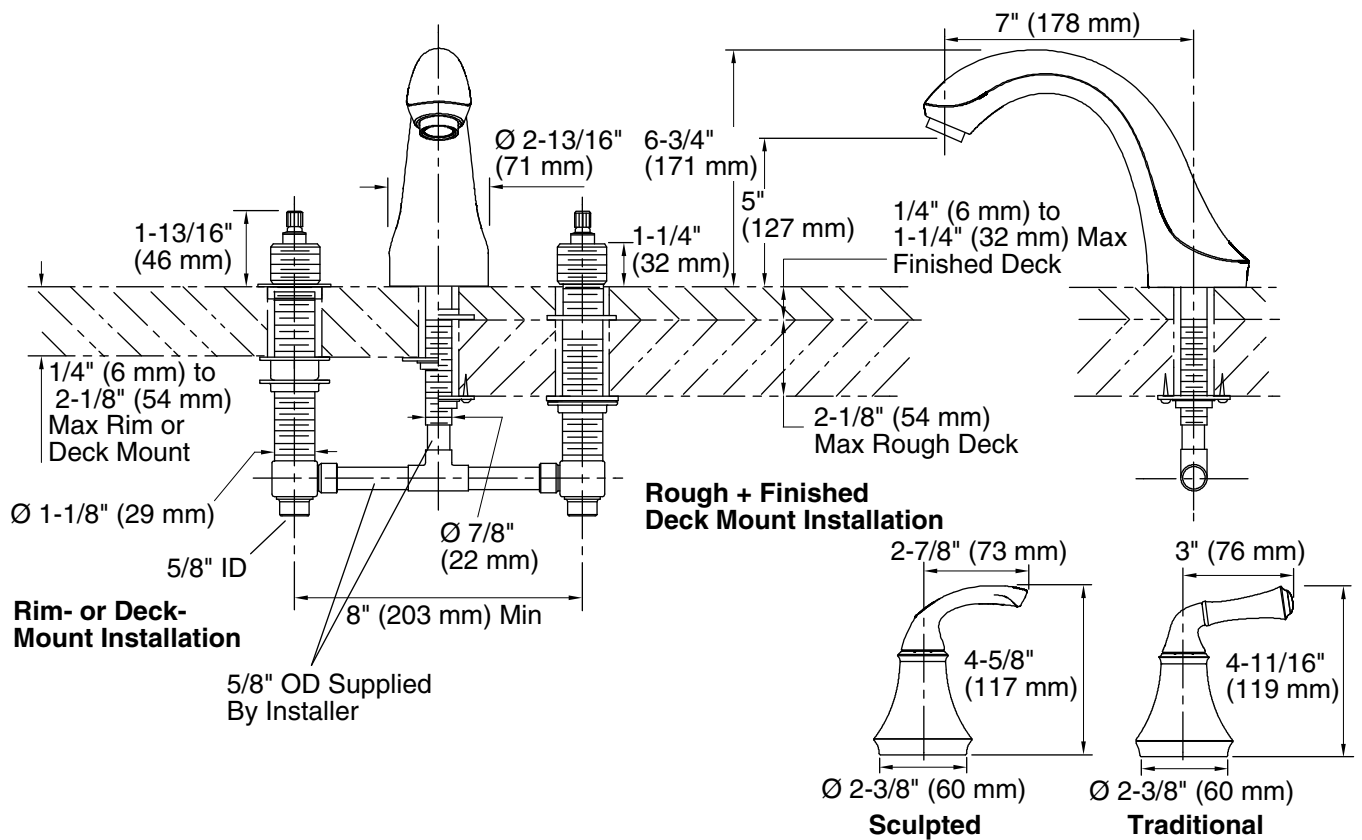
Product Specification

Two-handle deck-mount high-flow bath faucet trim shall be of brass construction. Product shall include a 7" (178 mm) non-diverter spout with slip-fit connection. Faucet trim shall be Kohler Model K-T10278-_____-_____- and valve system shall be Kohler Model K-_____-K-NA.

FORTE®

Installation Notes

Install this product according to the installation guide.



Product Diagram