

Features

- Brass construction
- Front seal plate assembly
- Lever handle
- Intended for use with Kohler valves
- Complements the Symbol faucet line

**THERMOSTATIC TRIM SET
K-T18090**

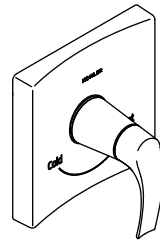
ALSO K-T18091, K-T18491

ADA **CSA B651** **OBC**

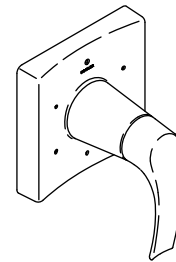
Codes/Standards Applicable

Specified model meets or exceeds the following:

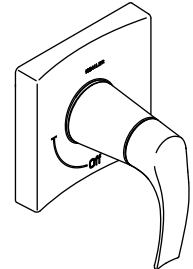
- ADA
- ASME A112.18.1/CSA B125.1
- ICC/ANSI A117.1
- CSA B651
- OBC



K-T18090



K-T18491



K-T18091

Colors/Finishes

- CP: Polished Chrome
- Other: Refer to Price Book for additional colors/finishes
- NA: None applicable

Specified Model

Model	Description	Color/Finish	
K-T18090-4	Thermostatic valve trim	<input type="checkbox"/> CP	<input type="checkbox"/> Other _____
K-T18091-4	Volume control valve trim	<input type="checkbox"/> CP	<input type="checkbox"/> Other _____
K-T18491-4	Transfer valve trim	<input type="checkbox"/> CP	<input type="checkbox"/> Other _____

Required Valve		
K-2972-KS (replaces K-679-KS)	1/2" Thermostatic valve	<input type="checkbox"/> NA
K-2974-K (replaces K-681-K)	1/2" Volume control valve	<input type="checkbox"/> NA
K-2975-KS (replaces K-669-KS)	3/4" Thermostatic valve	<input type="checkbox"/> NA
K-2977-K (replaces K-671-K)	3/4" Volume control valve	<input type="checkbox"/> NA
K-728-K	3/4" Transfer valve	<input type="checkbox"/> NA
K-737-K	3/4" Diverter valve	<input type="checkbox"/> NA

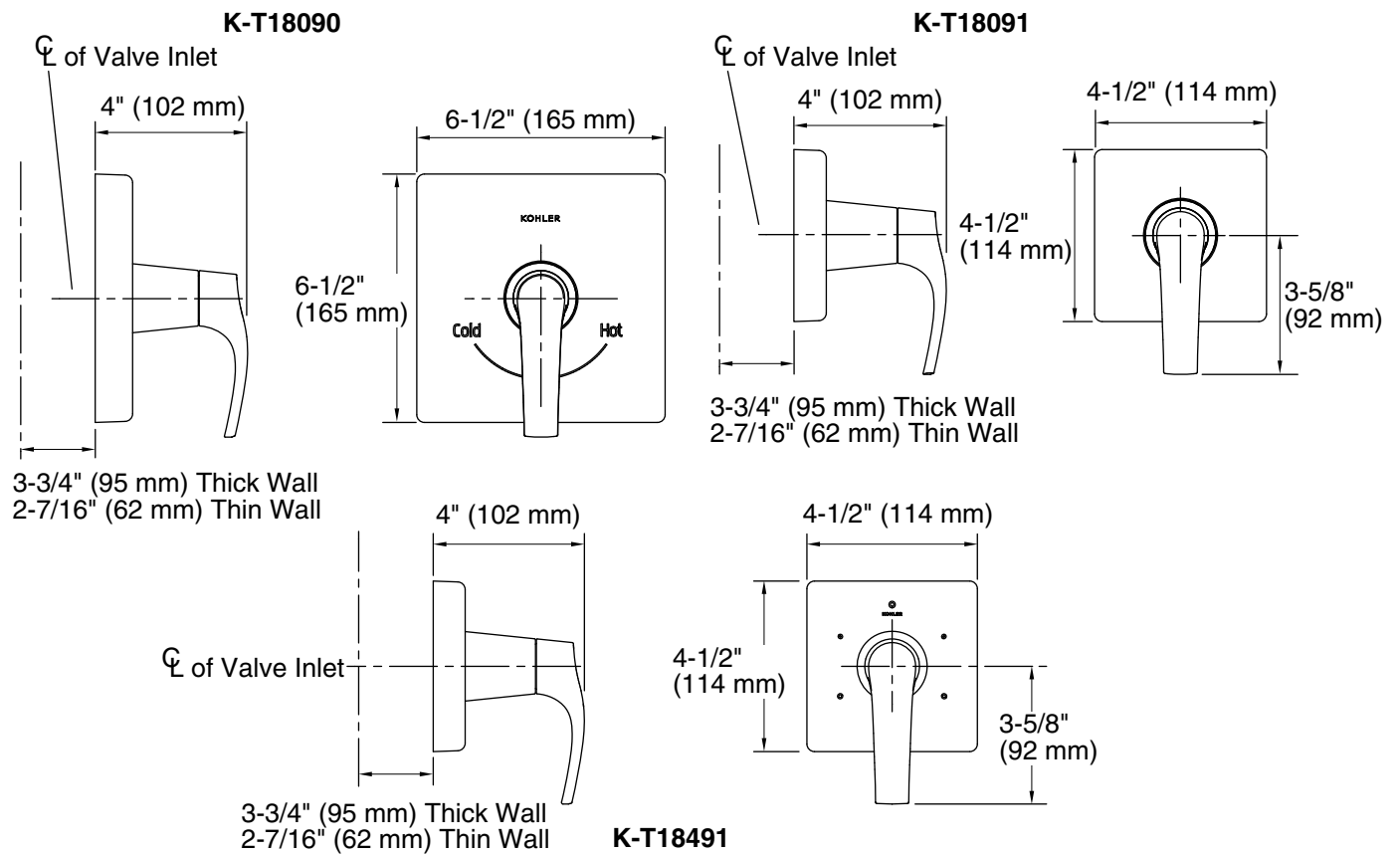
Product Specification

Thermostatic trim set shall be of brass construction. Thermostatic trim set shall feature front seal plate assembly and lever handle. Thermostatic trim set shall require Kohler valves. Thermostatic trim set shall complement the Symbol faucet line. Thermostatic trim set shall be Kohler Model K-_____-_____.

SYMBOL™

Installation Notes

Install this product according to the installation guide.



Product Diagram