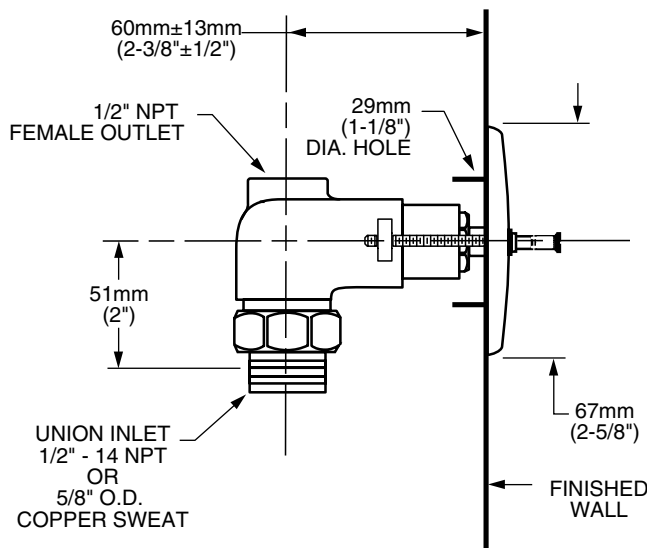


R701 Shown

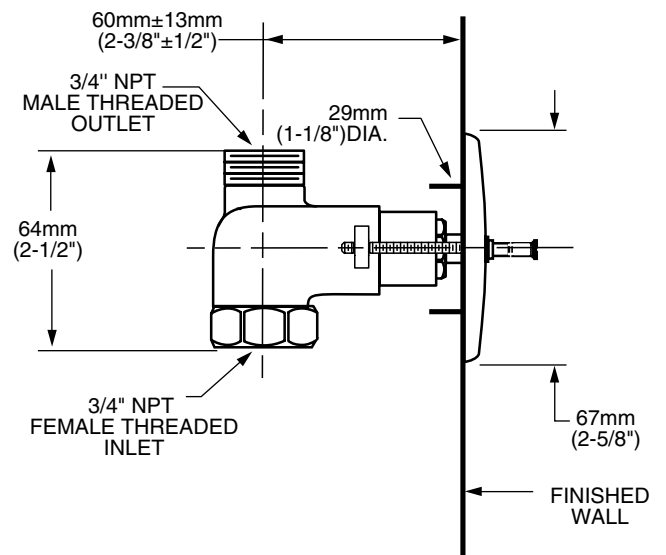
MODEL NUMBER:

- R701 On/Off & Volume Control Valve**
1/2" inlet/outlet. Less handle.
- R711 On/Off & Volume Control Valve**
3/4" inlet/outlet. Less handle.

Model R701



Model R711



GENERAL DESCRIPTION:

Cast brass valve body. Amaris washerless ceramic disc valve cartridge. Model R701 with combination 1/2" NPT threaded and direct sweat inlets. 1/2" NPT female outlet. Model R711 with 3/4" female inlet. 3/4" male outlet.

PRODUCT FEATURES:

Brass Construction: Durable - Excellent in high use applications. Ideal for prolonged contact with water.

Ceramic Disc Valve Cartridge: Assures a lifetime of drip-free performance.

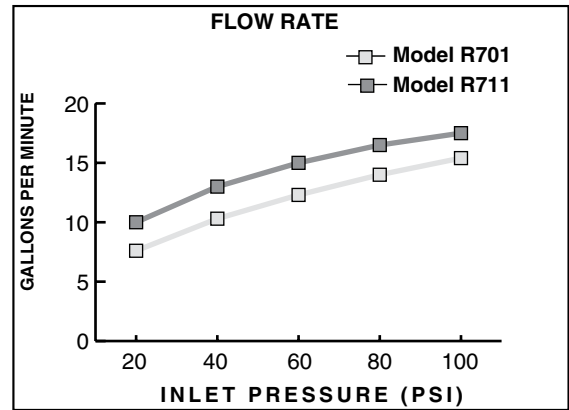
SUGGESTED SPECIFICATION:

In-wall single valve shall feature a cast brass valve body. Model R701 shall feature combination 1/2" NPT threaded and direct sweat inlets. 1/2" NPT female outlet. Model R711 shall feature 3/4" female inlet. 3/4" male outlet. Shall also feature 1/4" washerless ceramic disc valve cartridges. Fitting shall be American Standard Model # R7_1.

CODES AND STANDARDS

These products meet or exceed the following codes and standards:

ASME A112.18.1
CSA B125.1



Meets the American Disabilities Act Guidelines and **ANSI A117.1** Requirements for the physically challenged.

ROUGH VALVE BODIES	Product Number	Description
	R701*	In-wall single valve. 1/2" inlet/outlet. Less handle.
	R711*	In-wall single valve. 3/4" inlet/outlet. Less handle.

* Trim and Handles must be ordered separately.

R701 and R711 will accept the following handles:

AVAILABLE TRIM KITS	Enfield® Lever	Enfield Cross	Ceratherm™ II	Town Square®	Amarilis®-Series:		
	T373.700 	T373.702	T203.700	T555.700 	T000.441 	T000.431 	T000.541
Serin™	Green Tea®	Copeland™	Moments™	Berwick™	Berwick		
T064.700 	T010.700 	T005.700 	T506.700 	T430.700 	T430.702		