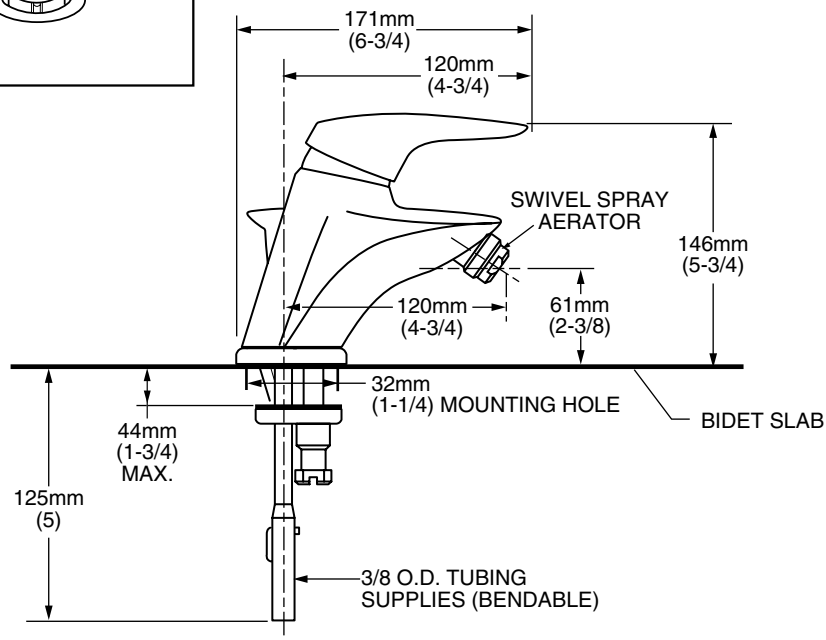


MODEL NUMBER:

- ☐ **2000.011 Bidet Fitting**
Pop-up drain. Swivel spray aerator.



GENERAL DESCRIPTION:

Cast brass body with metal lever handle. Washerless 47mm ceramic disc valve cartridge. Equipped with a hot limit safety stop. 3/8" O.D. copper supplies. 20 inch (500mm) long flexible stainless steel drain cable is pre-assembled to faucet body. Metal Speed Connect™ drain body with 1-1/4" (32mm) tail piece.

PRODUCT FEATURES:

Brass and Copper Waterway: Highest quality faucet materials for durability and long life.

Ceramic Disc Valve Cartridge: Assures a lifetime of drip-free performance.

Adjustable Hot Limit Safety Stop: Limits the amount of hot water allowed to mix with cold. Reduces the risk of accidental scalding.

Exclusive Speed Connect Metal Drain:

- Fewer parts. Installs in less time.
- No adjustments required - seals the first time, every time.
- Flexible stainless steel cable - installs effortlessly in tight spaces.

Choice of Finishes: Available in Polished Chrome and Satin Nickel (PVD).

SUGGESTED SPECIFICATION:

Single control bidet fitting shall feature a cast brass body with metal handle. Shall also feature washerless ceramic disc valve cartridge. Fitting shall be equipped with a hot limit safety stop. Shall also feature a metal drain body with stainless steel cable actuation. Fitting shall be American Standard Model # 2000.011.____.

CODES AND STANDARDS

These products meet or exceed the following codes and standards:

- ANSI A117.1**
- ASME A112.18.1**
- CSA B125**

Product Number	Description	Finish Options	
		Polished Chrome	PVD Satin Nickel
		002	295
2000.011	Bidet fitting. Metal Speed Connect™ pop-up drain. Swivel spray aerator.		
2000.101P	Escutcheon Plate only.		



Meets the American Disabilities Act Guidelines and **ANSI A117.1** Requirements for the physically challenged.