

## Deck-Mount Tub Filler Valve

### FEATURES

- Corrosion resistant
- 1/2" NPSM
- For use with Deck-Mount Tub Filler Trim

### CODES/STANDARDS

- Meets or exceeds ASME A112.18.1/CSA B125.1
- Certifications: IAPMO(cUPC), State of Massachusetts and others
- Code Compliance: UPC, IPC, NSPC, NPC Canada, and others



### PRODUCT SPECIFICATION

The deck-mount tub filler valve shall have 1/2" NPSM connection. The Deck-Mount Tub Filler Valve shall be TOTO Model TBMT. Required Deck-mount tub filler trim sold separately.

# TBMT

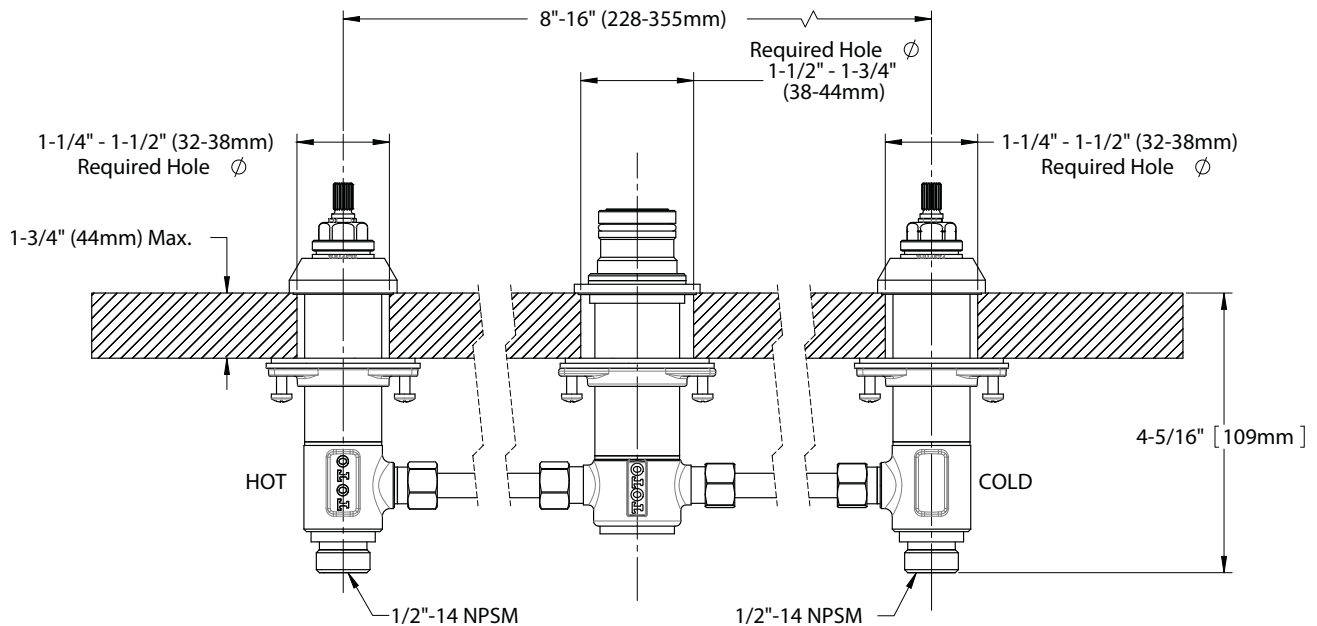
## Deck-Mount Tub Filler Valve

### SPECIFICATIONS

- Warranty Lifetime Limited Warranty (Residential Use)  
One Year (Commercial Use)
- Shipping Weight 5.0 lbs.
- Shipping Dimensions 8" L x 7" W x 5" W

### INSTALLATION NOTES

TRIM REQUIRED:  
Deck-mount tub filler trim sold separately.



**Important Note:** This product must be installed after the deck or tub rim is finished.

**TOTO**

*These dimensions and specifications are subject to change without notice*