

Vivian™ Widespread Lavatory Faucet with Lever Handles

FEATURES

- WaterSense certified low-flow 1.5 gpm faucet
- Lever handle
- Solid brass construction
- Ceramic disk valve cartridge
- Accommodates 6" -12" spread
- Metal pop-up drain assembly included



COLORS/FINISHES

- #CP Polished Chrome
- #BN Brushed Nickel
- #PN Polished Nickel
- #RB Oil Rubbed Bronze

CODES/STANDARDS

- Meets or exceeds ASME A112.18.1/CSA B125.1, NSF 61-9
- Certifications: IAPMO(cUPC), EPA WaterSense, State of Massachusetts and others
- Code Compliance: UPC, IPC, NSPC, NPC Canada, and others
- Legislative compliance: California AB1953, Vermont S.152 & Maryland HB. 372, California Green Building Code, City of Los Angeles Water Efficiency Ordinance
- ADA compliant



PRODUCT SPECIFICATION

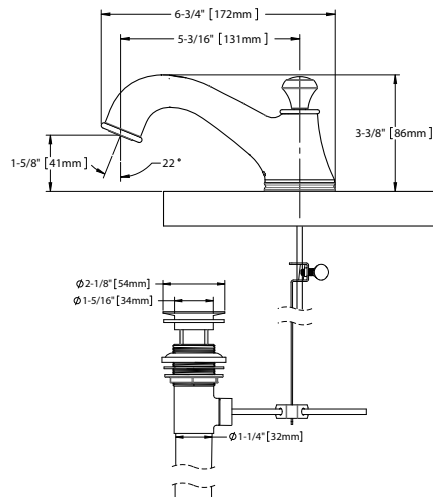
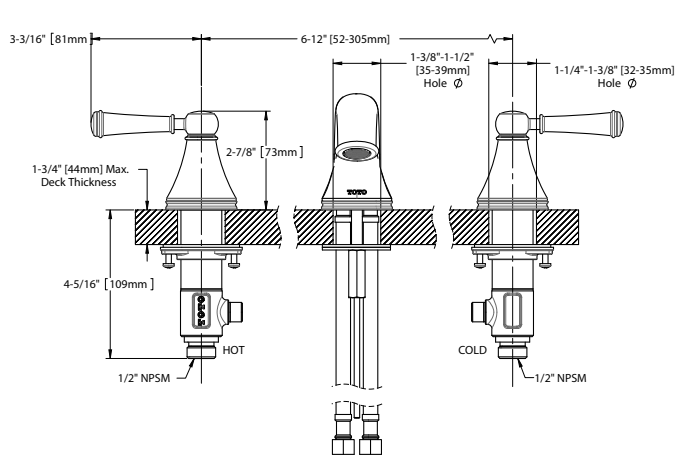
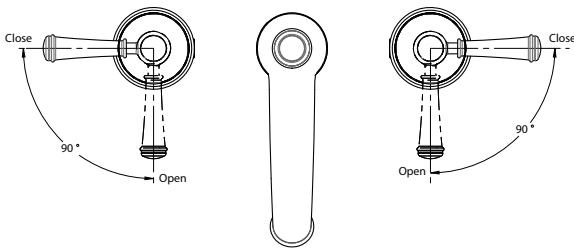
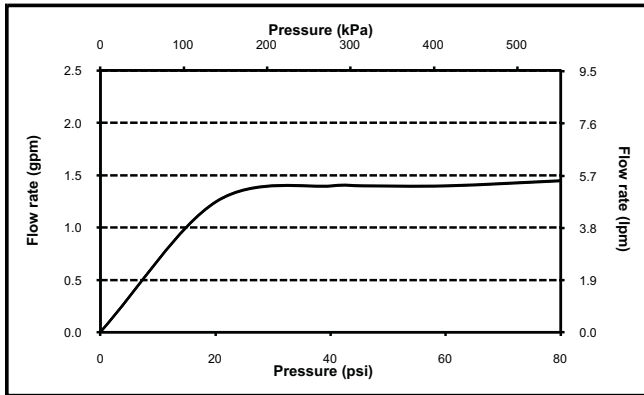
The widespread lavatory faucet shall have a maximum flow rate of 1.5 gpm (5.7 lpm). Product shall have lever handles. Product shall have a solid brass construction. Product shall have a ceramic disk valve cartridge. Product shall accommodate 6" -12" spread. Product shall include metal pop-up drain assembly. Product shall be TOTO Model TL220DD1# ____.

TL220DD1

Vivian™ Widespread Lavatory Faucet with Lever Handles

SPECIFICATIONS

- Warranty Lifetime Limited Warranty (Residential Use)
One Year (Commercial Use)
- Material Brass
- Shipping Dimensions 13-1/2" L x 7-1/2" W x 4-3/4" H
- Shipping Weight 8.2 lbs.
- Maximum Flow Rate 1.5 gpm (5.7 lpm)



TOTO

These dimensions and specifications are subject to change without notice