

SPECIFICATION SUBMITTAL SHEET



Certified to
NSF/ANSI 61-G

FEATURES

- Sizes: 1/2" 3/4" 1" 1-1/4" 1-1/2" 2"
 Max. working water pressure (1/2" - 1-1/4") 400 psi
 Max. working water pressure (1-1/2" - 2") 300 psi
 Max. working water temperature 180°F
 Reduced pressure range (1/2" - 1-1/4") 15 to 75 psi
 Reduced pressure range (1-1/2" - 2") 25 to 75 psi
 Factory preset 50 psi
 Threaded connections (FNPT) ANSI B1.20.1
 Copper connections (FC) ANSI B16.22
 CPVC tailpiece: Max. hot water temp. 180°F @ 100 psi
 Cold water rated temp. 73.4°F @ 400 psi

OPTIONS (Suffixes can be combined)

- standard with single union FNPT connection and 20 mesh strainer screen
- C - with FC (copper sweat) union connection
- DU - with double union connection (FNPT)
- LU - with integral FNPT connection (no union)
- PEX - with male barbed connection tailpiece for crossed-linked polyethylene tubing
- SC - with ss adjustment bolt and lock nut with ss spring for below-ground installations
- P - tapped and plugged for gauge
- CPVC - CPVC tailpiece connection (3/4" - 1")
- HRSC - High Range 15-150 psi (1/2"-1-1/4" only) with sealed cage

DIMENSIONS & WEIGHTS (do not include pkg.)

SIZE		CONNECTIONS	DIMENSIONS (approximate)								WEIGHT	
in.	mm		A		B		C		D		lbs.	kg.
1/2	15	SINGLE UNION	4 3/8	111	6 1/4	159	1 1/8	29	2 1/2	64	3	1.5
1/2	15	LESS UNION	3 1/2	89	6 1/4	159	1 1/8	29	2 1/2	64	3	1.5
1/2	15	DOUBLE UNION	5 1/4	133	6 1/4	159	1 1/8	29	2 1/2	64	3	1.5
3/4	20	SINGLE UNION	4 7/16	113	6 1/4	159	1 1/8	29	2 1/2	64	3	1.5
3/4	20	LESS UNION	3 1/2	89	6 1/4	159	1 1/8	29	2 1/2	64	3	1.5
3/4	20	DOUBLE UNION	5 3/8	137	6 1/4	159	1 1/8	29	2 1/2	64	3	1.5
1	25	SINGLE UNION	4 15/16	125	6 1/4	159	1 1/8	29	2 1/2	64	4	2
1	25	LESS UNION	4	102	6 1/4	159	1 1/8	29	2 1/2	64	3.5	1.6
1	25	DOUBLE UNION	5 15/16	151	6 1/4	159	1 1/8	29	2 1/2	64	4.5	2.1
1 1/4	32	SINGLE UNION	6 3/16	157	7 3/4	197	1 3/16	30	3	76	5.5	2.5
1 1/4	32	LESS UNION	5	127	7 3/4	197	1 3/16	30	3	76	5	2.3
1 1/4	32	DOUBLE UNION	7 3/8	187	7 3/4	197	1 3/16	30	3	76	6	2.7
1 1/2	40	SINGLE UNION	6 5/16	160	8 1/2	216	1 3/4	45	3 3/4	95	6.6	3
1 1/2	40	LESS UNION	5	127	8 1/2	216	1 3/4	45	3 3/4	95	5.5	2.5
1 1/2	40	DOUBLE UNION	7 1/2	191	8 1/2	216	1 3/4	45	3 3/4	95	7.7	3.5
2	50	SINGLE UNION	6 1/4	159	8 1/2	216	2	51	3 3/4	95	8.1	3.7
2	50	LESS UNION	5	127	8 1/2	216	2	51	3 3/4	95	6.7	3
2	50	DOUBLE UNION	7 1/2	191	8 1/2	216	2	51	3 3/4	95	9.5	4.3

APPLICATION

Ideal for use where lead free valves are required. Designed for installation on potable water lines to reduce high inlet pressure to a lower outlet pressure. The integral strainer makes this device most suitable for residential and commercial water systems that require frequent cleaning of sediment and debris. The direct acting integral by-pass design prevents buildup of excessive system pressure caused by thermal expansion. The balance piston design enables the regulator to react in a smooth and responsive manner to changes in system flow demand, while at the same time, providing protection from inlet pressure changes.

STANDARDS COMPLIANCE

- ASSE® Listed 1003
- IAPMO® Listed
- CSA® Certified
- NSF® Listed - Standard 61, Annex G

LEAD PLUMBING LAW COMPLIANCE

(0.25% MAX. WEIGHTED AVERAGE LEAD CONTENT)

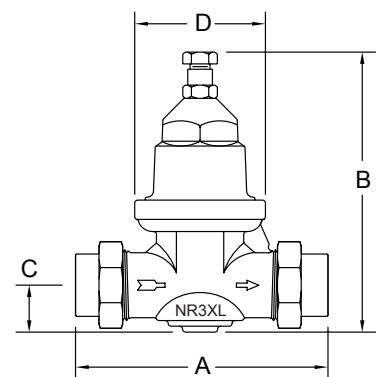
- Lead Plumbing Law Certified by IAPMO R&T
- Annex G Certified by NSF International

MATERIALS

- Main valve body Cast bronze ASTM B 584
- Bell housing UV resistant polymer composite
- Internals Stainless steel, 300 Series
- Stem Brass ASTM B 371, UNS C69300
- Elastomers EPDM (FDA approved)
- Buna nitrile (FDA approved)
- Cartridge Delrin™ (NSF Listed)
- Springs Oil temp wire, ASTM A 229
- Strainer screen 300 Series Stainless Steel

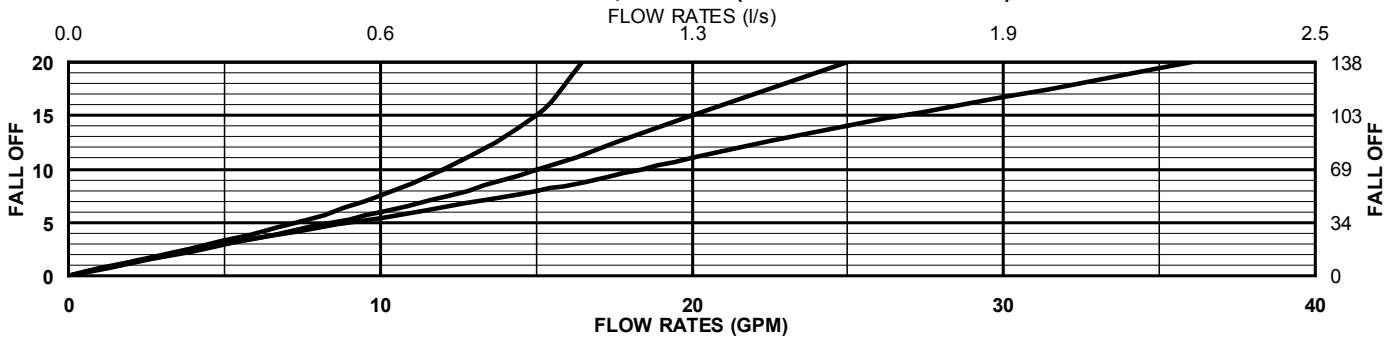
ACCESSORIES

- Repair kit
- 1" BR4DUSPC Special plastic spacer nipple
- 1-1/4" NR3DUSPC Steel pipe
- 1-1/2" NR3DUSPC Steel pipe
- 2" NR3DUSPC Steel pipe
- TPKXL Lead-Free Tailpiece kit

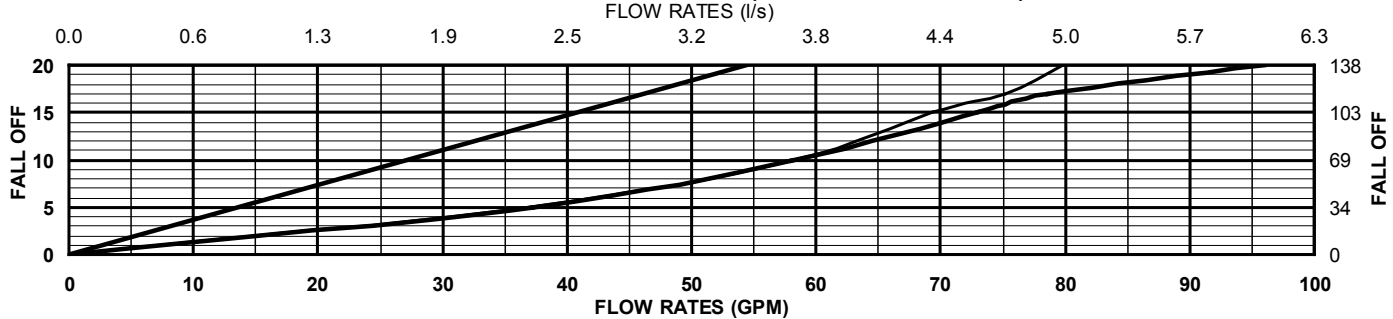


FLOW CHARACTERISTICS

MODEL NR3XL 1/2", 3/4" & 1" (STANDARD & METRIC)

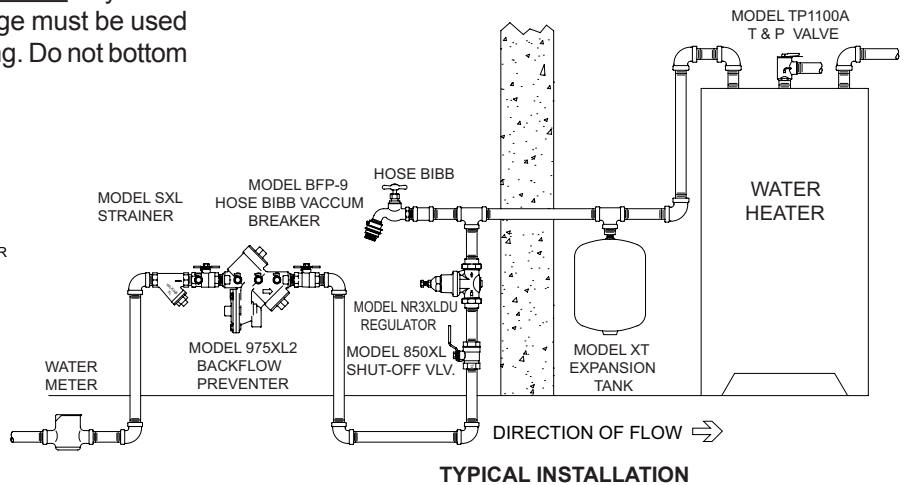
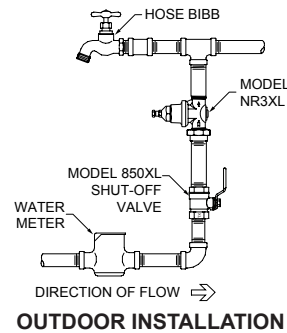
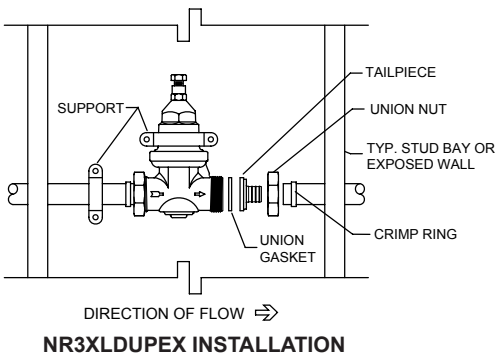


MODEL NR3XL 1-1/4, 1-1/2" & 2" (STANDARD & METRIC)



TYPICAL INSTALLATION

Local codes shall govern installation requirements. Unless otherwise specified, the assembly shall be mounted in accordance with the latest edition of the Uniform Plumbing Code. The Model NR3XL may be installed in any position. If installed in a pit, vault, or inside application, specify the "SC" sealed cage option. The assembly shall be installed with sufficient side clearance for testing and maintenance. Multiple installations are recommended for wide demand variations or where the desired pressure reduction is more than 4 to 1 (ie: 200 psi inlet reduced to 50 psi outlet). **CAUTION:** Anytime a reducing valve is adjusted, a pressure gauge must be used downstream to verify correct pressure setting. Do not bottom adjustment bolt on bell housing.



SPECIFICATIONS

The Water Pressure Reducing Valve shall be ANSI 3rd party certified to comply with states' lead plumbing law 0.25% maximum weighted average lead content requirement, and ASSE® Listed 1003, available with single union, double union and less union end connections. The main body shall be low lead cast bronze (ASTM B 584) alloy. The bell shall be composite plastic. The cartridge shall be NSF® Listed acetal and incorporate an integral seat. The seat disc elastomer shall be NSF® Listed EPDM. The assembly shall be accessible for maintenance without removing the device from the line. The Water Pressure Reducing Valve shall be a WILKINS Model NR3XL.

WILKINS a Zurn company, 1747 Commerce Way, Paso Robles, CA 93446 Phone: 805/238-7100 Fax: 805/238-5766
 IN CANADA: ZURN INDUSTRIES LIMITED, 3544 Nashua Dr., Mississauga, Ontario L4V 1L2 Phone: 905/405-8272 Fax: 905/405-1292
 Product Support Help Line: 1-877-BACKFLOW (1-877-222-5356) • Website: <http://www.zurn.com>