



Z1315

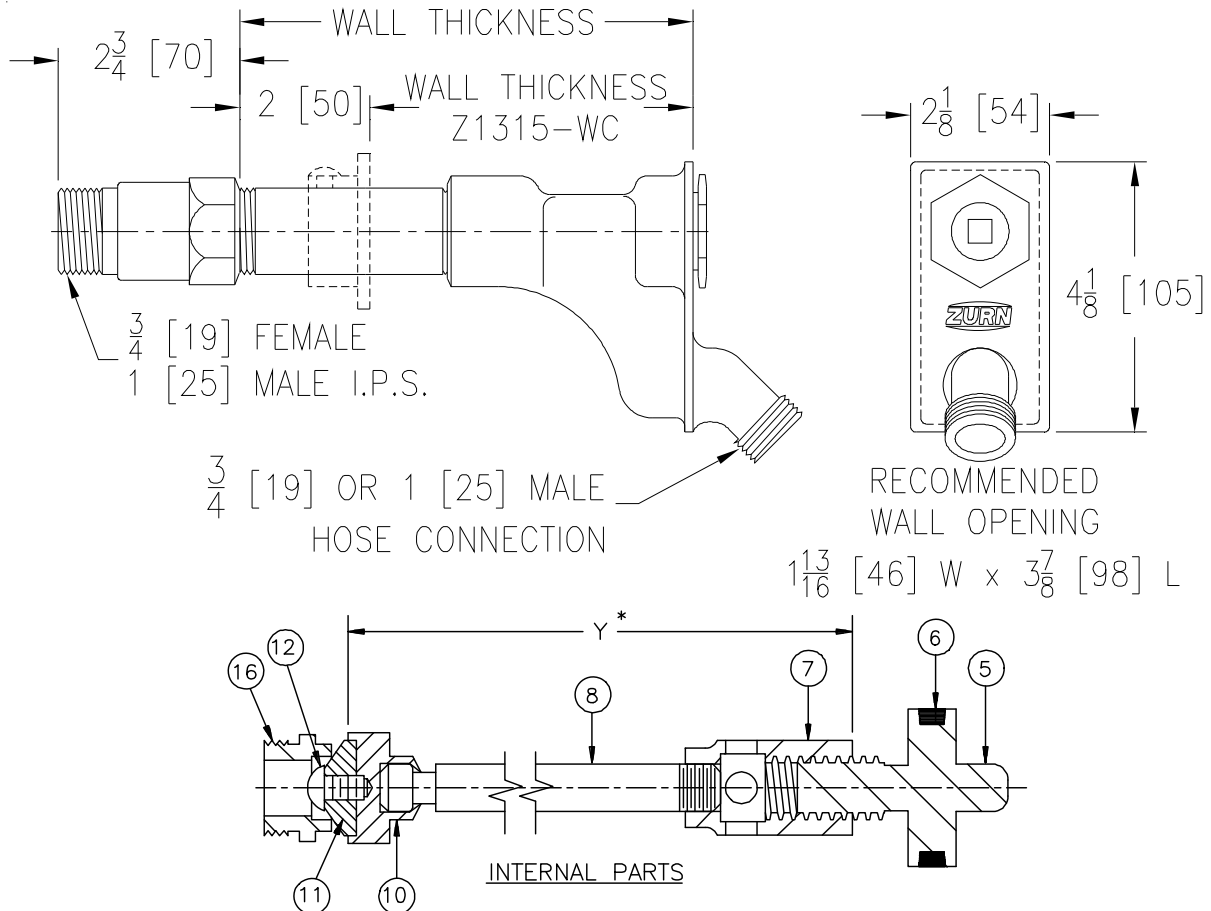
WALL HYDRANT

Exposed, Non-Freeze

SPECIFICATION SHEET

TAG _____

Dimensional Data (inches and [mm]) are Subject to Manufacturing Tolerances and Change Without Notice



Wall Thickness Inches	Approx. Wt. Lbs. [kg]
4-6-8 [102-152-203]	6 [3]
10-12-14 [254-305-356]	8 [4]
16-18 [406-457]	10 [4]
20-22-24 [508-559-610]	12 [5]

ENGINEERING SPECIFICATION: ZURN Z1315

Exposed, non-freeze wall hydrant, with bronze casing, all bronze interior parts, non-turning operating rod with free-floating compression closure valve, replaceable bronze seat and seat washer, and combination $\frac{3}{4}$ [19] female or 1 [25] male straight IP inlet. Complete with operating key.

PARTS LIST

Item	Name	Quan.
5	Operating Screw	1
6	O-Ring	1
7	Operating Coupling	1
8	Operating Rod	1
16	Removable Seat	1
10	Washer Guide	1
11	Washer (neoprene)	1
12	Screw	1

OPTIONS (Check/specify appropriate options)

SUFFIXES

- ___ -PB Polished Bronze Face
- ___ -RA2 12 [305] Replacement Rod Assembly with Repair Kit (-RK)
- ___ -RA4 24 [610] Replacement Rod Assembly with Repair Kit (-RK)
- ___ -RK Hydrant Parts Repair Kit
- ___ -SB Statuary Bronze Face (Specify light, medium or dark finish)
- ___ -VB $\frac{3}{4}$ [19] Adapter Vacuum Breaker
- ___ -WC Wall Clamp
- ___ -34FS $\frac{3}{4}$ [19] Solder Female Inlet Adapter
- ___ -34UN $\frac{3}{4}$ [19] IP 90° Inlet Elbow w/Union Nut

*WHEN ORDERING REPLACEMENT PARTS SPECIFY Y DIM.

REV. H	DATE: 10/22/10	C.N. NO. 111933
DWG. NO. 58870	PRODUCT NO. Z1315	

ZURN INDUSTRIES, LLC ♦ SPECIFICATION DRAINAGE OPERATION ♦ 1801 Pittsburgh Ave. ♦ Erie, PA 16514

Phone: 814/455-0921 ♦ Fax: 814/454-7929 ♦ World Wide Web: www.zurn.com

In Canada: ZURN INDUSTRIES LIMITED ♦ 3544 Nashua Drive ♦ Mississauga, Ontario L4V1L2 ♦ Phone: 905/405-8272 Fax: 905/405-1292