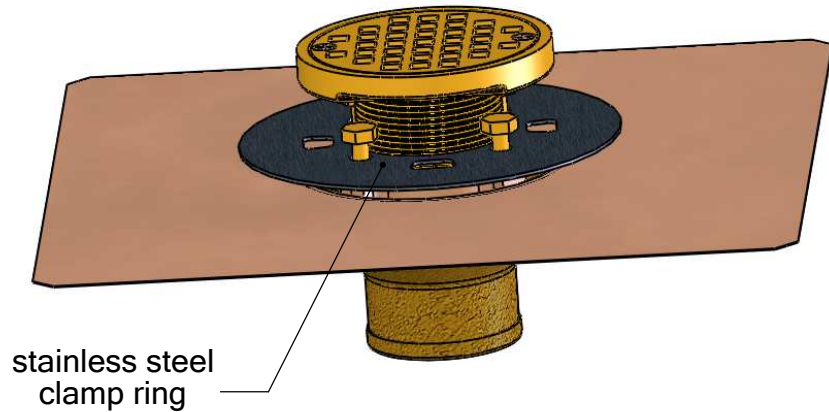
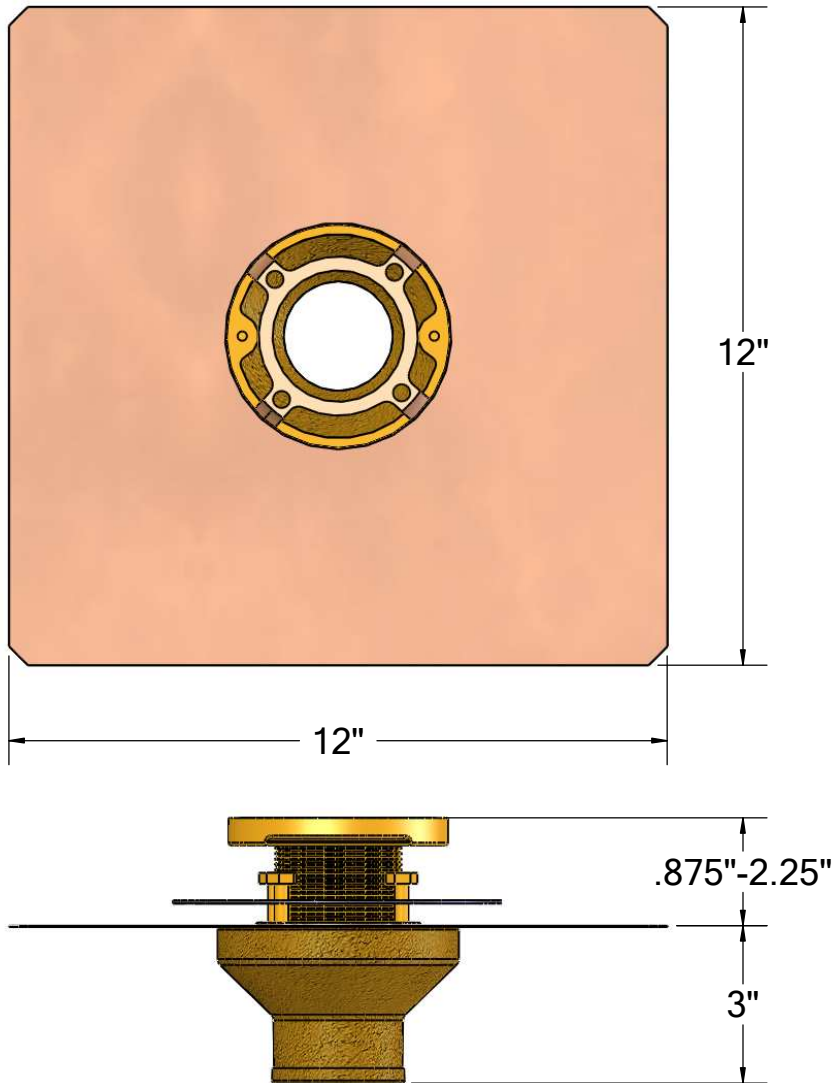


SHOWER DRAIN

AVAILABLE WITH 4" ROUND BRONZE GRATE OR 5" x 5" SQUARE NICKEL-BRONZE GRATE



stainless steel
clamp ring

16 oz copper flashing attached to 4" bowl,
reduced to 2" or 3" fitting

THUNDERBIRD PRODUCTS
1148 North Marshall Ave.
El Cajon, CA 92020
Tel: (800) 658-2473
Fax: (619) 448-9072