

# FLOOR OR SHOWER DRAINS WITH ADJUSTABLE STRAINER HEADS

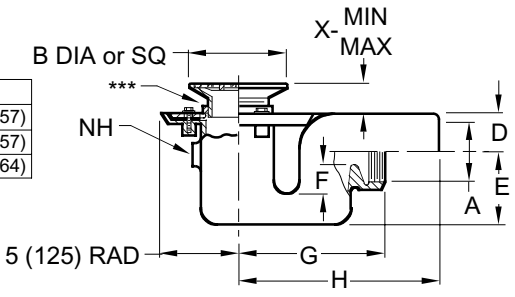
**FUNCTION:** General service floor drain for use in showers, toilets, kitchens and other finished areas where foot traffic is expected. Large selection of body styles permits adaptability to all types of construction variations and plumbing codes.

DRAWING NUMBER: S2020  
 SIZE: A  
 SCALE: NONE  
 DATE: 5-17-85  
 APPROVED BY: TD  
 CHECKED BY: TD  
 DRAWN BY: PJ  
 2020,2021,2030  
 2031,2040,2041  
 DIMENSIONS ARE SUBJECT TO MANUFACTURERS TOLERANCE AND CHANGE WITHOUT NOTICE

**SHALLOW TRAP - SIDE OUTLET**

A SIZE	B	D	E	F Seal	G	H	MIN-X-MAX	
02 (51)	05 (125)	1 3/4 (44)	5 (125)	2 (51)	6 3/4 (170)	9 1/2 (240)	1 1/4 (32)	2 1/4 (57)
03 (76)	06 (150)	2 1/4 (57)	4 1/2 (115)	2 (51)	9 (230)	12 1/4 (310)	1 1/4 (32)	2 1/4 (57)
04 (100)	08 (205)	3 (76)	8 1/2 (215)	2 1/2 (64)	10 (255)	12 3/4 (325)	1 1/2 (38)	2 1/2 (64)

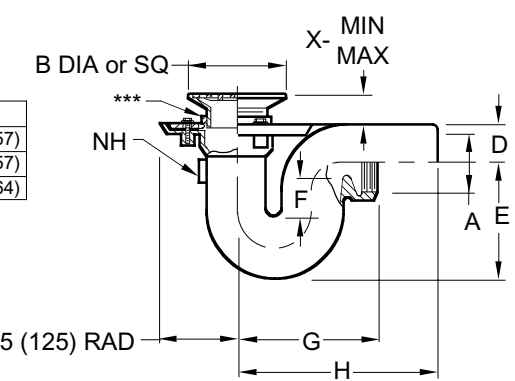
**THREAD OUTLET**                      **\*SPIGOT OUTLET**  
**Fig. 2020T ... (A) ROUND TOP ... 2021S**  
**Fig. 2020T ... (B) SQUARE TOP ... 2021S**



**DEEP TRAP - SIDE OUTLET**

A SIZE	B	D	E	F Seal	G	H	MIN-X-MAX	
02 (51)	05 (125)	1 3/4 (44)	5 1/4 (135)	2 (51)	5 (125)	8 (205)	1 1/4 (32)	2 1/4 (57)
03 (76)	06 (150)	2 (51)	7 (180)	2 1/4 (57)	8 (205)	10 (255)	1 1/4 (32)	2 1/4 (57)
04 (100)	08 (205)	3 (76)	8 1/2 (215)	2 1/2 (64)	10 (255)	12 3/4 (325)	1 1/2 (38)	2 1/2 (64)

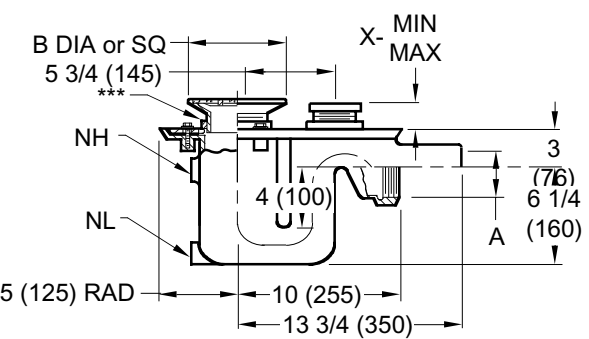
**THREAD OUTLET**                      **\*SPIGOT OUTLET**  
**Fig. 2030T ... (A) ROUND TOP ... 2031S**  
**Fig. 2030T ... (B) SQUARE TOP ... 2031S**



**DEEP TRAP WITH FLOOR CLEANOUT - SIDE OUTLET**

A SIZE	B	MIN-X-MAX	
02 (51)	05 (125)	1 1/4 (32)	2 1/4 (57)
03 (76)	06 (150)	1 1/4 (32)	2 1/4 (57)
04 (100)	08 (205)	1 1/2 (38)	2 1/2 (64)

**THREAD OUTLET**                      **\*SPIGOT OUTLET**  
**Fig. 2040T ... (A) ROUND TOP ... 2041S**  
**Fig. 2040T ... (B) SQUARE TOP ... 2041S**



**REGULARLY FURNISHED:**  
 Duco Cast Iron Body and Flashing Collar, Adjustable Strainer Head, with Secured Grate. Type of Body and Strainer Head as Indicated by Figure Number and Strainer Suffix Letter Selected.

**SEE PM0457 FOR OPTIONAL STRAINER HEADS.**

- VARIATIONS:**
- Ball Float Backwater Valve -BFV
  - High Auxiliary Inlet -NH (1 1/2 (38) or 2" (51))
  - Hinged Grate -H
  - Low Auxiliary Inlet -NL (Fig. 2040 only)
  - Sediment Bucket -B
  - Trap Primer Connection -P050 (1/2" (13)) & -P075 (3/4" (19))
  - Vandal Proof Screws -U

- OPTIONAL MATERIALS:**
- Bronze Body -BB
  - Chrome Plated Strainer -CP
  - Galvanized Cast Iron -G
  - Nickel Bronze Strainer -NB
  - Polished Bronze Strainer -PB

\* Sized for service weight and/or NO-HUB.  
 \*\* Not available for 5" (125) size strainer.  
 \*\*\* Collar can be used in high position only.

REV.	DATE	DESCRIPTION	BY	CKD. BY	WEIGHT POUNDS	VOLUME CUBIC FEET	FIGURE NUMBER
	3-21-95	Added Metric	EMB	BS			2020,2021,2030 2031,2040,2041
	7-1-94	Revised	CMB	BS			
	9-23-93	Submittal Update	EMB	BS			