

ROOF-CEPTOR® INDIRECT WASTE DRAINS

10 1/2" (265) TOP - MEDIUM DEPTH RECEPTORS

FUNCTION: Recommended for use in roof areas to receive waste water from air conditioning units, cooling towers and other mechanical equipment installed on the roof. The solid water dam prevents storm water from entering the waste line. The large vandal proof dome bottom strainer provides ample drainage and prevents entry of debris.

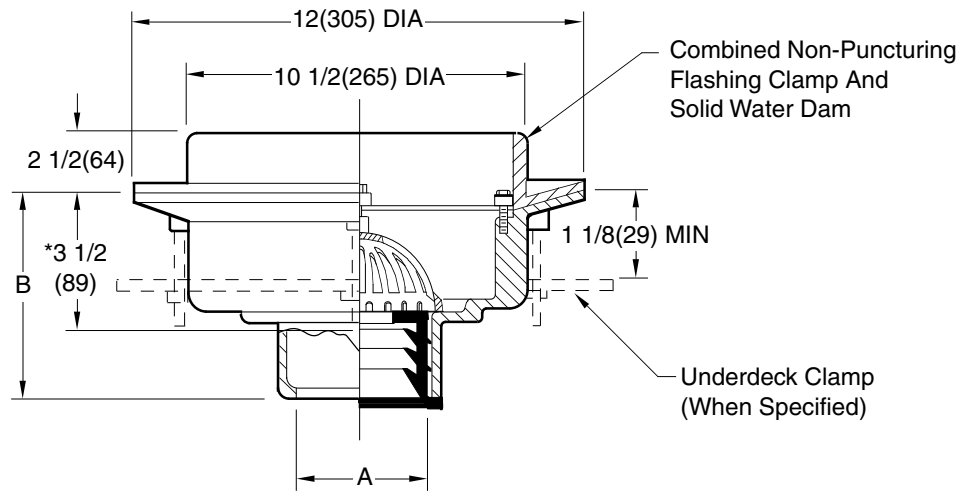


Fig. 3970C ... CAULK OUTLET
 Fig. 3970Y ... NO-HUB OUTLET

*This Dimension to Internal Stop of Speedi-Set Gasket

recommended deck openings:
 with suffix -R - 13"(330)
 less suffix -R - 11"(280)

A SIZE	02 (50)	03 (80)	04 (100)	05 (125)	06 (150)
B	6(150) for Caulk, NO-HUB and Speedi-Set. 4 3/4(120) for Threaded				

REGULARLY FURNISHED:
 Duco Cast Iron Receptor with Solid Water Dam and Cast Iron Dome Bottom Strainer Secured with Stainless Steel Vandal Proof Screws.

- VARIATIONS:**
- Extension -E
 - L Speedi-Set Service Weight
02(50), 03(80) & 04"(100) sizes only
 - LXH Speedi-Set Extra Heavy
02(50), 03(80) & 04"(100) sizes only
 - Roof Sump Receiver -R
 - Underdeck Clamp-UDC
 - T Threaded Outlet

OPTIONAL MATERIALS:
 All Galvanized -G

DRAWING NUMBER S3970
 SIZE A
 SCALE: NONE
 DATE: 9-19-85
 APPROVED BY: SJM
 CHECKED BY: JD
 DRAWN BY: PJ
 FIGURE NUMBER 3970
 DIMENSIONS ARE SUBJECT TO MANUFACTURERS TOLERANCE AND CHANGE WITHOUT NOTICE
 WE CAN ASSUME NO RESPONSIBILITY FOR USE OF SUPERSEDED OR VOID DATA

REV.	DATE	DESCRIPTION	BY	CKD. BY	WEIGHT POUNDS	VOLUME CUBIC FEET	FIGURE NUMBER
C	04/22/04	Added UDC to Variations	JJ	CL			3970
B	8-27-96	Added Millimeters	EMB	BS			
A	7-26-94	Submittal Update	EMB	BS			