

Air Gaps, Elbows and Test Cocks

Job Name _____

Contractor _____

Job Location _____

Approval _____

Engineer _____

Contractor's P.O. No. _____

Approval _____

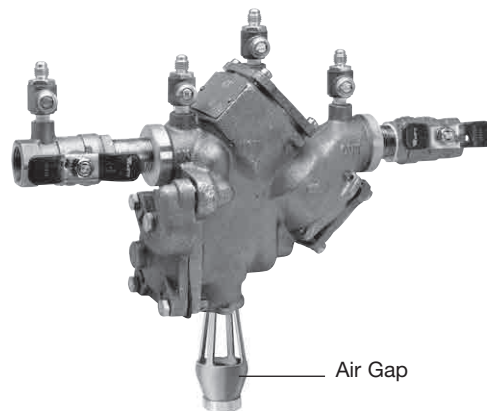
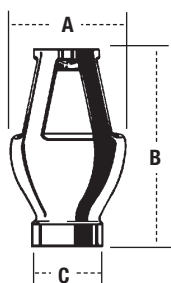
Representative _____

Air Gaps, Elbows and Test Cocks for Reduced Pressure Zone Assemblies

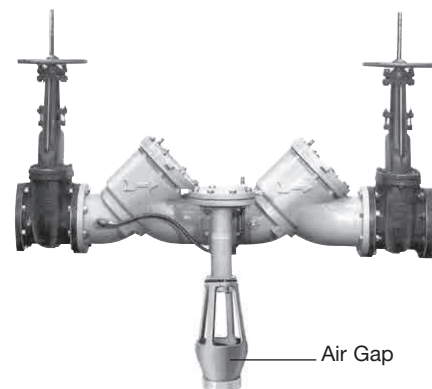
Air Gaps

An air gap provides the unobstructed, physical separation between the discharge end of a potable water supply line and an open receiving vessel.

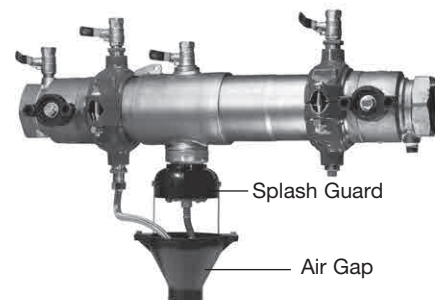
The installation of an air gap and drain line are recommended.



909 QT/LF909 QT



909 OSY/ LF909 OSY



957 QT

MODEL	ORDER-ING CODE	SERIES/ SIZES	DIMENSIONS			WEIGHT				
			A in. mm	B in. mm	C (NPT) in. mm	lbs	kgs			
909AGA	0881399	1/2" - 1/2" 009/LF009	2 5/8	60	3 1/8	79	1/2	13	.63	.28
		3/4" 009/LF009M2/M3								
		1/2" - 1" 995								
909AGC	0881376	3/4" - 1" 009/LF009, 909/LF909	3 1/4	83	4 7/8	124	1	25	1.50	.68
		1" - 1 1/2" 009/LF009M2								
		1 1/4" - 2" 995								
909AGF	0881378	1 1/4" - 3" 009/LF009, 909/LF909	4 3/8	111	6 3/4	171	2	51	3.25	1.47
		1 1/4" - 2" 009/LF009M1								
		2" 009/LF009M2								
909AGK	0881385	4" - 6" 909/LF909	6 3/8	162	9 3/8	244	3	76	6.25	2.83
		4" - 10" 909RPDA								
		8" - 10" 909/LF909M1								
909AGM	0881387	8" - 10" 909/LF909	7 3/8	187	11 1/4	286	4	102	15.50	7.03
919 AGC	0881576	3/4" - 1" 919/LF919	2 5/8	60	3 1/8	79	1/2	13	0.63	0.28
919 AGF	0881577	1 1/4" - 2" 919/LF919	4 3/8	111	8 1/2	216	2	51	3.5	1.6
957AG	0111764	2 1/2" - 10" 957	7 1/2	190	10 3/16	258	2	51	1.50	.68
Splash Guard										
994AGK-P	0881397	2 1/2" - 10" 994	8	203	11 1/4	286	2	51	1.50	0.68
995-AG	0439190	3" - 6" 995	5	127	8	203	2	51	-	-
957AG	0111815	2 1/2" - 10" 957	4 3/4	119	2 1/2	62	-	-	.4	0.18

NOTICE

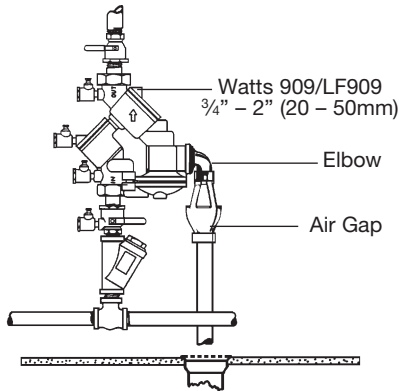
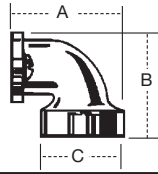
Inquire with governing authorities for local installation requirements

Watts product specifications in U.S. customary units and metric are approximate and are provided for reference only. For precise measurements, please contact Watts Technical Service. Watts reserves the right to change or modify product design, construction, specifications, or materials without prior notice and without incurring any obligation to make such changes and modifications on Watts products previously or subsequently sold.



Vent Elbows

Used with Watts air gaps for vertical installation of Reduced Pressure Zone Assemblies.



Vertical (Up) Installation of Backflow Preventer

NOTICE

Inquire with governing authorities for local installation requirements

MODEL NO.	MATERIAL	ORDERING CODE	SERIES/ SIZES	DIMENSIONS			WEIGHT	
				A in. mm	B in. mm	C in. mm	lbs	kgs
909EL-A	Bronze	0881370	1/4"-1/2" 009/LF009 3/4" 009/LF009M2/M3 1/2"-1" 995 3/4"-1"	—	—	—	—	—
909EL-C	Iron	0881380	009/LF009, 909/LF909 1"-1 1/2" 009/LF009M2 1 1/4"-2" 995	2 3/8 60	2 3/8 60	—	.38	.17
909EL-F	Gray Cast Iron with Zinc Phosphate Primer	0881382	1 1/4"-2" 009/LF009M1 1 1/4"-2" 009/LF009, 909/LF909 2" 009M2	3 5/8 92	3 5/8 92	—	2	.91
909EL-H		0881384	2 1/2"-3" 009/LF009, 909/LF909	—	—	2 51	—	—
(vertical)								
919 EL-C	Bronze	0881578	3/4"-1" 919/LF919	2 1/4 57	2 5/8 67	—	0.63	0.28
919 EL-F	Cast Iron	0881579	1 1/4"-2" 919/LF919	5 1/4 133	4 102	—	2	0.9
994EL-F	Steel Epoxy Coated	0881396	2 1/2"-10" 994	4 7/8 124	9 229	2 51	4	1.8

Test Cocks - Lead Free*

LFTC

For use with backflow preventers, isolation valve for gauges, isolation valves for small equipment lines.

- Full port ball valve design
- Screwdriver slot to open and close
- Available 1/8" M x 1/4" F (0792001) or 1/4" M x 1/4" F (0792000)

LFSAE-TC

- Full port ball valve design
- Screwdriver slot operation
- Available 1/8" M x SAE (0792002)



LFTC

- 1/2" TC for 2 1/2" - 4" (65 - 100mm)** series 757 and 957 (0792520)
- 3/4" TC for 6" - 10" (150 - 250mm)** series 757 and 957 (0792521)
- 3/4" TC for 6" - 10" (150 - 250mm)** with MNPT thread (0792525)
- Full port ball valve design



No. 3 LFTC with O-Ring

- for 2 1/2" - 4" (65 - 100mm)** series 757 and 957 (0792522)
- for 6" - 10" (150 - 250mm)** series 757 and 957 (0792523)

*The wetted surface of this product contacted by consumable water contains less than 0.25% of lead by weight.

**Metric Dimensions are nominal pipe diameter.

Accessories Cap & Tether

Plastic Cap & Tether

(four required per backflow preventer)

- Fits 1/4" Female test cocks
- Plastic dust cap and rubber tether
- RK-TC 1/8" (0888846)



SAE-TC Brass Cap

- Protects SAE-TC from dirt and debris (0006902)

SAE-TC Adapter

- 1/4" female SAE x 7/16" FPT
- Adapts to SAE-TC for use with pressure gauge and/or site tube
- SAE-TC Adapter (0006903)



Brass Cap & Plastic Tether

(four required per backflow preventer)

- Fits 1/8" M x SAE test cocks
- Brass dust cap with O-ring seal and rubber tether
- RK-SAE-TC (0888845)



A Watts Water Technologies Company



USA: Tel: (978) 688-1811 • Fax: (978) 794-1848 • www.watts.com
Canada: Tel: (905) 332-4090 • Fax: (905) 332-7068 • www.watts.ca