



model **6458**
Waste Strainer

FEATURES & BENEFITS

OPTIONS

To see all options for this model, visit www.hawSCO.com

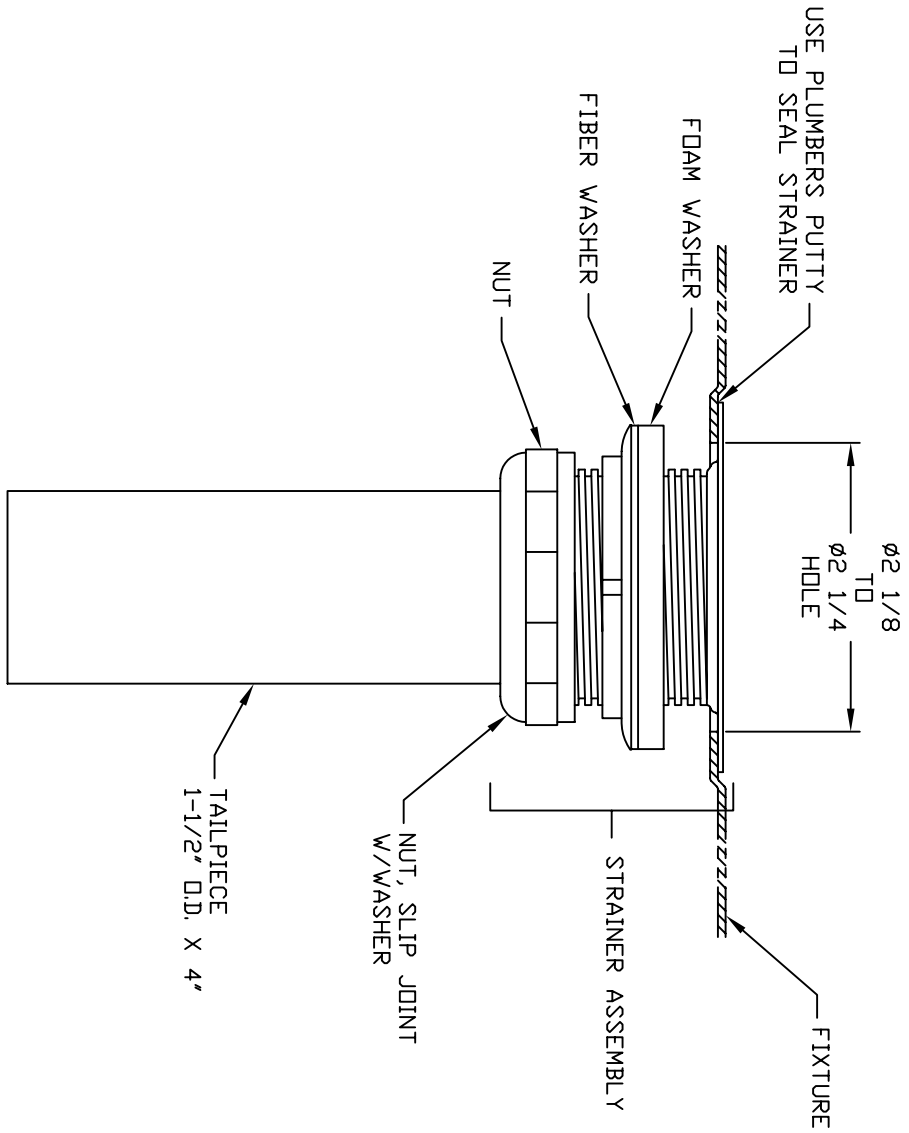


SPECIFICATIONS

Model 6458 is a polished chrome-plated brass flat waste strainer with grid, washer, locknut and slipjoint tailpiece. Dimensions: flange dia, 3" (7.6 cm) fits all 2" (5.1 cm) drain holes; 1-1/2" O.D. (3.8 cm) slipjoint tailpiece x 4" (10.2 cm) long.

APPLICATIONS





MODEL 6458

Haus
 Home Ag Beteiligungs AG
 1455 Klepple Ln, Sports NY, 89431
 Home Ag Beteiligungs AG, Burghof, Switzerland, 4531
 Home Ag Beteiligungs AG, Kappel, Switzerland, 4531
 e-mail: Home@hausso.com website: www.hausso.com

INFO FAX : 1-888-FAX-HAUS (1-888-329-4297)
 1455 Klepple Ln, Sports NY, 89431
 Phone: 775-359-4712 Fax: 775-359-7424

DATE: 3/28/00
 PROJECT: MODEL: 6458
 TITLE: WASTE STRAINER
 INFO FAX DOC # 26458
 SCALE: 1:1
 DRAWING TYPE: MECHANICAL/ASSEMBLY

DATE: 00/00/7878
 14537000
 1
 1