

FEATURES & BENEFITS

CONSTRUCTION

1" Schedule 40 hot-dipped galvanized steel pipe and fittings provide a strong durability in a long lasting product.

QUALITY CONTROL

Valve assembly is pre-built for reduced installation time and an added peace of mind for the installer.

VALVES

Valve is designed so the full flow of water remains on with the simple tug of the triangular pull rod. Unit also comes equipped with a stainless steel ball and stem to provide added protection against corrosion and breakage.

UNIVERSAL MOUNTING

Designed for horizontal or vertical installation, this drench shower is mounted sturdily from any wall or ceiling.

SHOWER HEAD

AXION[®] MSR ABS plastic drench showerhead uses a hydrodynamic design to give equal distribution of water throughout the entire footprint of flow.

SAFETY

8" x 10-3/4" (20.3 x 27.3 cm) universal emergency sign make the unit easily detected in an emergency. Test card to record weekly checks helps maintain the unit's best working quality.

PULL ROD

28" (71.1 cm) stainless steel triangular pull rod provides a reachable height for users while maintaining its durable design.



SPECIFICATIONS

Model 8122 drench shower for horizontal or vertical installation shall include the AXION[®] MSR hydrodynamic designed ABS plastic showerhead with self-regulating flow control, chrome-plated brass stay-open ball valve equipped with a stainless steel ball and stem, stainless steel pull rod with triangular handle, universal sign, and 1" IPS supply.

APPLICATIONS

Where the body of any person may be exposed to injurious or corrosive materials, suitable facilities for quick drenching and cleansing of the body shall be provided within the work area for immediate emergency use. Emergency deluge showers shall be in unobstructed and accessible locations that require no more than 10 seconds for the injured person to reach. Model 8122 is Certified by CSA to meet the ANSI Z358.1 Standard for Emergency Eyewash and Shower Equipment.

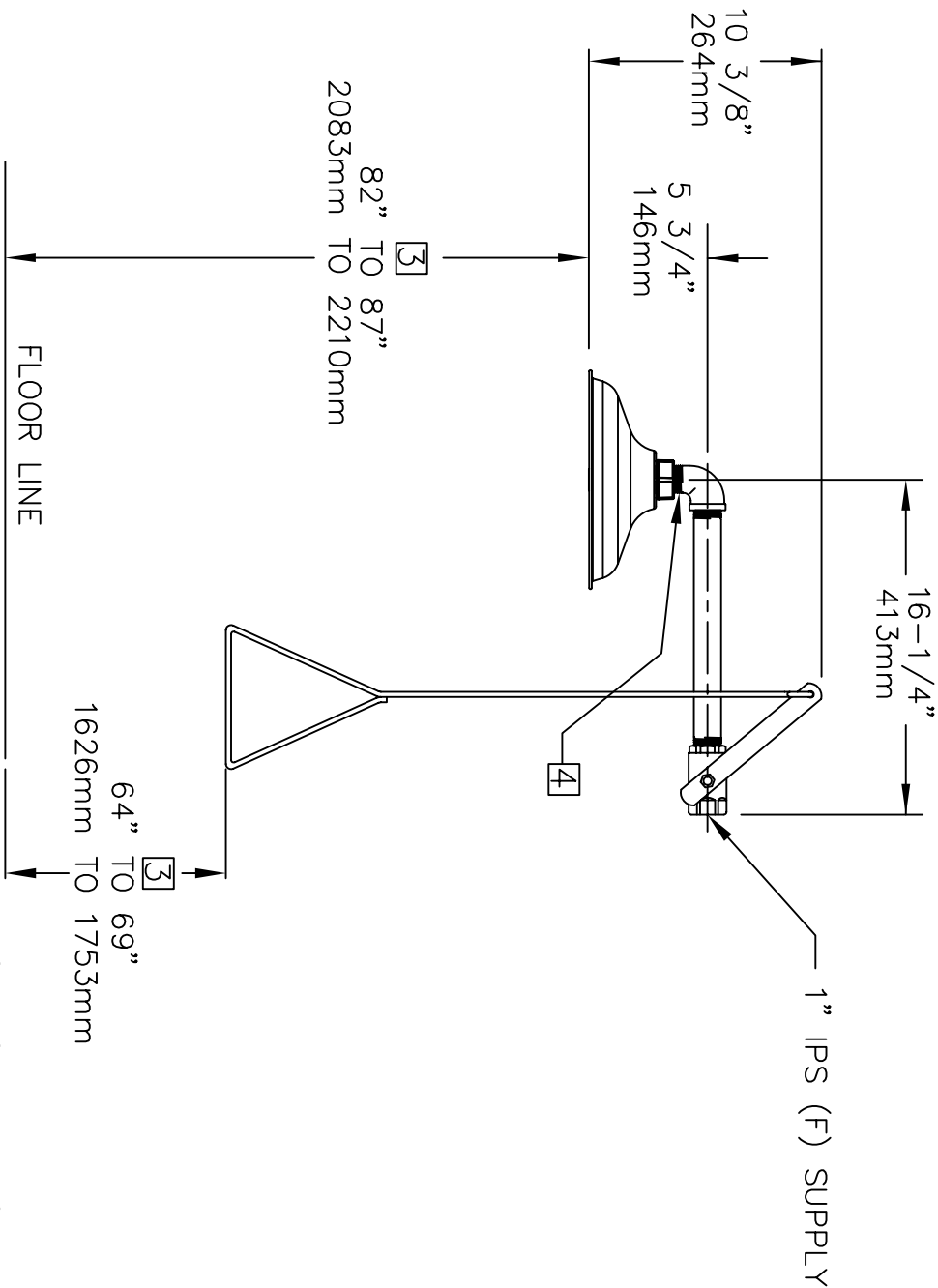
OPTIONS

- ❑ Emergency Body Spray Kit: Model 8901RFK, body spray unit with ABS plastic head, stay open squeeze lever valve, 8 foot (243.8 cm) hose, and installation kit.
- ❑ AXION[®] MSR Showerhead: Model SP829SS, AXION[®] MSR stainless steel drench showerhead with integral 20 gpm (75.7 L) flow control.
- ❑ Thermostatic Mixing Valve: Model 9201E AXION[®] Emergency Tempering Valve thermostatically mixes hot and cold water to provide a safe fluid supply for emergency showers and eyewash equipment, with a flow rate of 31 gpm (117.3 L).
- ❑ Thermostatic Mixing Valve: Model 9201H Lead-free AXION[®] Emergency Tempering Valve thermostatically mixes hot and cold water to provide a safe fluid supply for emergency showers and eyewash equipment, with a flow rate of 31 gpm (117.3 L).

To see all options for this model, visit www.hawsco.com



HORIZONTAL SUPPLY (STANDARD)

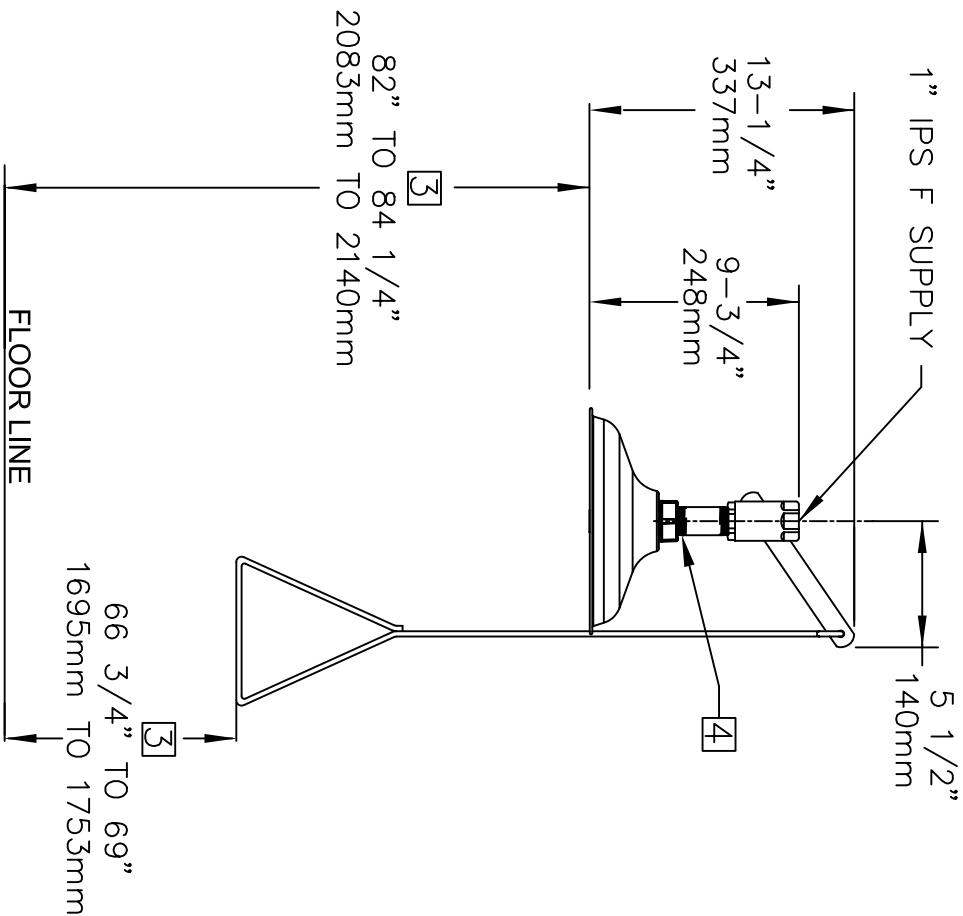


**SEE SHEET 2 OF 2 FOR
CONVERSION TO VERTICAL
SUPPLY CONFIGURATION**

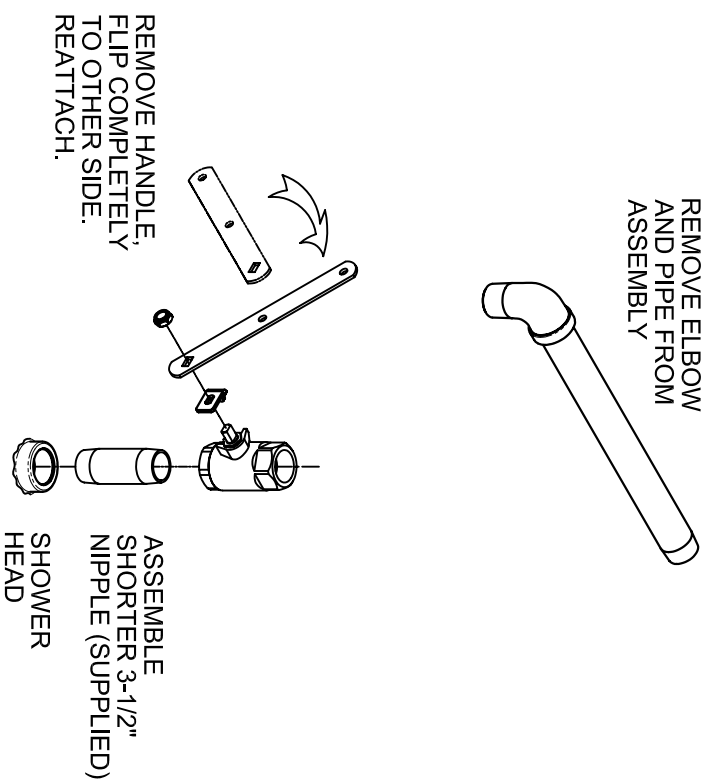
NOTES:

1. DIMENSIONS MAY VARY BY ± 1/2 INCH [13mm].
2. TO COMPLY WITH ANSI Z358, 1-2009 FOR EMERGENCY EYEWASH OR EYEFACE WASH AND SHOWER EQUIPMENT:
 - UNIT SHALL BE INSTALLED IN ACCORDANCE WITH MANUFACTURER'S INSTRUCTIONS AND ACCEPTABLE PLUMBING PRACTICES.
 - SHOWER SHALL BE POSITIONED SO THAT SHOWER HEAD IS NOT LESS THAN 208.3 CM (82 IN.) NOR MORE THAN 243.8 CM (96 IN.) FROM SURFACE ON WHICH USER STANDS.
 - SHOWER SPRAY PATTERN SHALL HAVE A MINIMUM DIAMETER OF 50.8 CM (20 IN.) AT 152.4 CM (60 IN.) ABOVE SURFACE ON WHICH USER STANDS, AND CENTER OF SPRAY PATTERN SHALL BE LOCATED AT LEAST 40.6 CM (16 IN.) FROM ANY OBSTRUCTION.
3. FOLLOWING THESE DIMENSIONS WILL AUTOMATICALLY PROVIDE ADHERENCE TO ANSI REQUIREMENTS STATED ABOVE.
4. DO NOT USE REGULAR PIPE SEALANT. IF NECESSARY USE DOW CORNING 832 SEALANT PLACING 5 SMALL BEADS ON THE MALE THREADS, JUST ABOVE THE FIRST THREAD.

		Haws Corporation	
EQ# NO. 1-2009-001	DATE: 5/17/09	MODEL(S): 8122 DRENCH SHOWER	1455 KLEPPE LANE
DATE: 5/17/09	DATE: 5/17/09	INFO FAX DOC #: 281224	SPARKS, NEVADA 89431
APPROVER:	DATE:	INSTALLATION/FABRICATION:	(775) 359-4712 FAX (775) 359-7424
			E-MAIL: HAWS@HAWS.CO.COM
			WEBSITE: WWW.HAWS.CO.COM
			1455 KLEPPE LANE
			SPARKS, NEVADA 89431
			(775) 359-4712 FAX (775) 359-7424
			E-MAIL: HAWS@HAWS.CO.COM
			WEBSITE: WWW.HAWS.CO.COM
			1455 KLEPPE LANE
			SPARKS, NEVADA 89431
			(775) 359-4712 FAX (775) 359-7424
			E-MAIL: HAWS@HAWS.CO.COM
			WEBSITE: WWW.HAWS.CO.COM



FOR VERTICAL SUPPLY (RECONFIGURE AS SHOWN)



NOTES:

1. DIMENSIONS MAY VARY BY ± 1/12 INCH (1.3mm).
2. TO COMPLY WITH ANSI Z358.1-2009 FOR EMERGENCY EYEWASH OR EYEFACE WASH AND SHOWER EQUIPMENT:
 - UNIT SHALL BE INSTALLED IN ACCORDANCE WITH MANUFACTURERS INSTRUCTIONS AND ACCEPTABLE PLUMBING PRACTICES.
 - SHOWER SHALL BE POSITIONED SO THAT SHOWER HEAD IS NOT LESS THAN 208.3 CM (82 IN.) NOR MORE THAN 243.8 CM (96 IN.) FROM SURFACE ON WHICH USER STANDS.
 - SHOWER SPRAY PATTERN SHALL HAVE A MINIMUM DIAMETER OF 50.8 CM (20 IN.) AT 152.4 CM (60 IN.) ABOVE SURFACE ON WHICH USER STANDS, AND CENTER OF SPRAY PATTERN SHALL BE LOCATED AT LEAST 40.6 CM (16 IN.) FROM ANY OBSTRUCTION.
3. FOLLOWING THESE DIMENSIONS WILL AUTOMATICALLY PROVIDE ADHERENCE TO ANSI REQUIREMENTS STATED ABOVE.
4. DO NOT USE REGULAR PIPE SEALANT. IF NECESSARY USE DOW CORNING 832 SEALANT PLACING 5 SMALL BEADS ON THE MALE THREADS, JUST ABOVE THE FIRST THREAD.

Haws Corporation		1455 KLEPPE LANE	
SPARKS, NEVADA 89431		(775) 359-4712 FAX (775) 359-7424	
E-MAIL: HAWS@HAWS.CO.COM		WEBSITE: WWW.HAWS.CO.COM	
EQ# NO. 1	DESIGNED BY: HR	MODEL(S):	8122 DRENCH SHOWER
DATE: 5/19/91	DATE: 5/19/91	INFO FAX DOC #:	281224
APPROVER:	DATE:	DESIGN TYPE:	INSTALLATION/PACKAGE
C/L		SIZE:	A
		DATE:	20090114.D
		TIME:	09:41:00
		SHEET:	2 OF 2