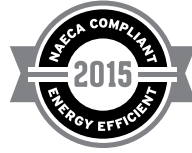


STANDARD



ENHANCED HEATING ELEMENTS

- Dual 4500 watt elements for faster recovery and reliable operation.
- Incoloy stainless steel lower element lasts longer than a standard copper element.

SELF-CLEANING DIP TUBE

- Helps reduce lime and sediment buildup and maximizes hot water output. Made from long-lasting PEX cross-linked polymer.

HIGH ENERGY FACTORS

- Eco-friendly non-CFC foam insulation, heat traps and other features combine to yield a higher Energy Factor that maximizes savings on operating costs.

COREGARD™ ANODE ROD

- Our anode rods have a stainless steel core that extends the life of the anode rod allowing superior tank protection far longer than standard anode rods.

BLUE DIAMOND® GLASS COATING

- Provides superior corrosion resistance compared to industry-standard glass lining.

ENHANCED-FLOW BRASS DRAIN VALVE

- Our residential water heaters have a solid brass, tamper resistant, enhanced-flow, ball type, drain valve.
- Uses a standard female hose fitting that allows for fast and easy draining during maintenance.
- Designed for easy operation, this valve includes an integral screwdriver slot that features a ¼ turn (open/close) radius, which not only permits full straight-through water flow but also a quick and positive shut off.

CODE COMPLIANCE

- Meets UBC, CEC and HUD National Codes.
- Meets the thermal efficiency and standby loss requirements of the U.S. Department of Energy and current edition of ASHRAE/IESNA 90.1.
- Complies with the Federal Energy Conservation Standards effective April 16, 2015, in accordance with the Energy Policy and Conservation Act (EPCA), as amended.

APPROVED FOR MANUFACTURED HOUSING

- All residential electric water heaters are compliant with HUD standards for mobile homes/ manufactured housing.

CERTIFIED TO UL 174 FOR HOUSEHOLD ELECTRIC WATER HEATERS

CSA CERTIFIED AND ASME RATED T&P RELIEF VALVE

DESIGN-LISTED BY UNDERWRITERS LABORATORIES

- Certified at 300 PSI test pressure and 150 PSI working pressure.
- Listed according to UL 174 standards governing storage tank-type electric water heaters.

6-YEAR LIMITED TANK LIMITED PARTS WARRANTY

- For complete information, consult written warranty or go to www.americanwaterheater.com.





Residential Electric Water Heaters

Model Number	Gallon Capacity	First Hour Rating Gallon	Energy Factor	Recovery @ 90°F Rise Gallon Per Hour	Element Wattage 240V		Dimensions in Inches			Approx. Shipping Weight (lbs)
					Standard	Maximum	A	B	C	
Tall Models										
†E6N-30H	30	47	0.95	21	4500	6000	46-1/2	39-1/2	19	95
†E6N-40H	40	51	0.95	21	4500	6000	60-1/4	53-1/4	20	118
E6N-50HB*	50	70	0.95	21	4500	6000	60-1/4	51-1/4	21	131
†E6N-50H	50	71	0.95	21	4500	6000	60-1/2	51-1/4	22	134
†E6N-55H	55	76	0.94	21	4500	6000	56-1/2	48-1/2	24	145
Short Models										
E6N-30RB*	30	48	0.95	21	4500	6000	39	30-1/2	20	95
†E6N-30R	30	49	0.95	21	4500	6000	39-3/4	30-1/2	22	94
†E6N-40R	40	55	0.95	21	4500	6000	50	40-3/4	22	109
†E6N-50R	50	62	0.95	21	4500	6000	49-3/4	40-3/4	24	161
Lowboy Top Connect Models										
E6N-30LB*	28	40	0.95	21	4500	6000	30	21-3/4	22	96
†E6N-30L	28	43	0.95	21	4500	6000	31-1/4	21-3/4	24	115
E6N-40LB*	38	46	0.95	21	4500	6000	31-3/4	24	24	118
†E6N-40L+	38	44	0.95	20.7	4500	6000	33-1/2	24	26	118

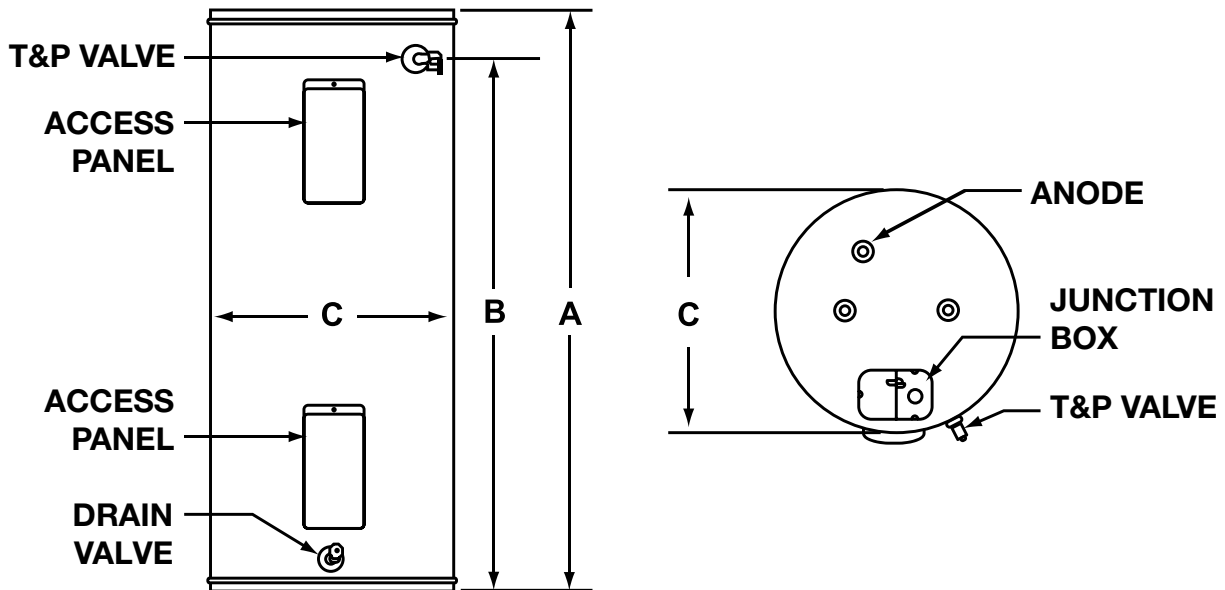
3/4" water connections on 8" center.

*Models ship with supplied insulation blanket.

† For 10-year tank and 6-year parts limited warranty, change "6" to "10" in the model number (example: E10N-40H).

+Top T&P option not available on this model.

Dimensions and specifications are subject to change without notice in accordance with our policy of continuous product improvement.



For technical information call (800) 999-9515. American Water Heaters reserves the right to make product changes or improvements without prior notice.