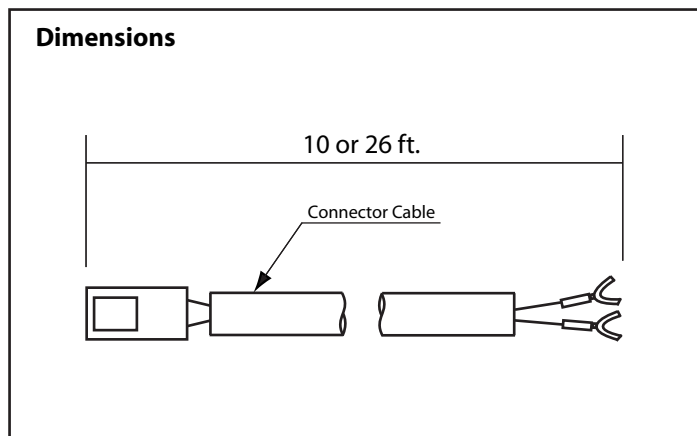


Tankless Water Heater Accessories

Specification Sheet

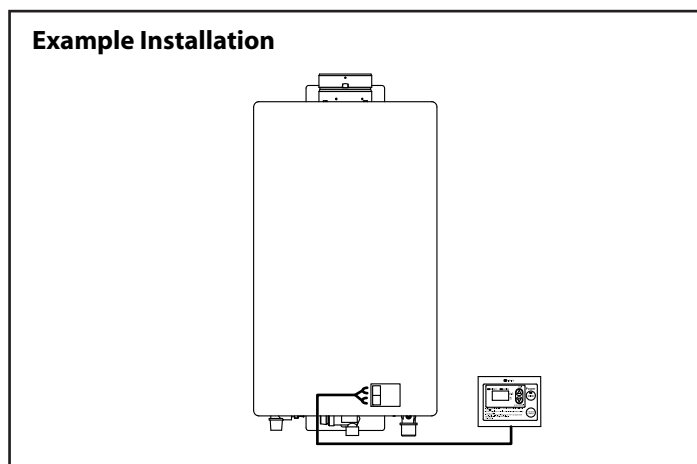
Remote Controller Cord

- Fully insulated cord with the proper connectors for a simple installation with Noritz tankless water heaters
- Available in 10' or 26' length that can accommodate for any convenient location for the Remote Controller
- Comes included with most models (except for NR66 Series, NR71 Series, NR98-DVC, and NC199-DVC models)*



- Remote Controller Cord**
- 10' length (#RC-CORD10)
 - 26' length (#RC-CORD26)

- Compatible with All Models**
- | | |
|---------------|---------------|
| NR66 Series | NRC111 Series |
| NR71 Series | NR111 Series |
| NR98 Series | NC250 Series |
| NC199 Series | NC380 Series |
| NCC199 Series | |



* Additional Remote Controller Cords will be necessary for NC199-DVC and NC199-OD models within a Multi-System when used with a SC-201-6M-EXT System Controller.