

Tankless Water Heater Accessories

Specification Sheet

Outdoor Vent Cap

- Simple installation - vent cap is placed on top of the flue when the water heater is installed outdoors
- Compatible with all SV models and fits 3, 4, and 5-inch flue sizes*
- Vent Cap (#VC-4C) also available for NRC111 and NCC199 series condensing models**

* excludes OD and DVC models

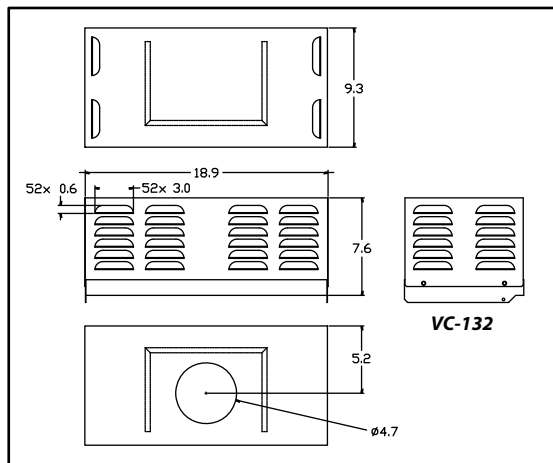
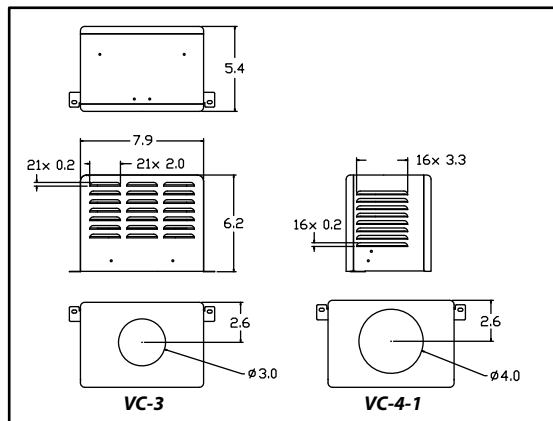
** VC-4C vent cap requires some assembly. Refer to Installation Manual for further details.



VC-3
VC-4-1
VC-4C

VC-132

Dimensions



Outdoor Vent Cap

- 3" Standard Vent Cap (#VC-3)
- 4" Standard Vent Cap (#VC-4-1)
- 4" Vent Cap for Condensing Models (#VC-4C)
- 5" Standard Vent Cap (#VC-132)

Compatible with All Models

- | | |
|-----------|---------------|
| NR66-SV | NCC199-SV |
| NR71-SV | NR111-SV |
| NR98-SV | NC250-SV-ASME |
| NC199-SV | NC380-SV-ASME |
| NRC111-SV | |

Installation Example

